

Culligan®

**High
Efficiency
1.25 Water
Softener
Owners
Guide**





Attention Culligan Customer

The installation, service and maintenance of this equipment should be rendered by a qualified and trained service technician. Your local independently operated Culligan dealer employs trained service and maintenance personnel who are experienced in the installation, function and repair of Culligan equipment. This publication is written specifically for these individuals and is intended for their use.

We encourage Culligan users to learn about Culligan products, but we believe that product knowledge is best obtained by consulting with your Culligan dealer. Untrained individuals who use this manual assume the risk of any resulting property damage or personal injury.



WARNING! Electrical shock hazard! Prior to servicing equipment, disconnect power supply to prevent electrical shock.

NOTICE

This system is not intended for use where water is microbiologically unsafe or with water of unknown quality.



WARNING! If incorrectly installed, operated or maintained, this product can cause severe injury. Those who install, operate, or maintain this product should be trained in its proper use, warned of its dangers, and should read the entire manual before attempting to install, operate, or maintain this product.



WARNING! This device complies with part 15 of the FCC rules subject to the two following conditions: 1) This device may not cause harmful interference, and 2) This device must accept all interference received including interference that may cause undesired operation.

This equipment complies with Part 15 of the FCC rules. Any changes or modifications not expressly approved by the manufacturer could void the user's authority to operate the equipment. Changes or modifications not expressly approved by the party responsible for compliance could void the user's authority to operate the equipment.



CAUTION! To reduce the risk of fire, use only No. 26 AWG or larger telecommunications line cord.



CAUTION! This product is not to be used by children or persons with reduced physical, sensory or mental capabilities, or lack of experience or knowledge, unless they have been given supervision or instruction.



CAUTION! Children should be instructed not to play with this appliance.



CAUTION! If the power cord from the transformer to the unit looks or becomes damaged, the cord and transformer should be replaced by a Culligan Service Agent or similarly qualified person in order to avoid a hazard.

Products manufactured and marketed by Culligan International Company (Culligan) and its affiliates are protected by patents issued or pending in the United States and other countries. Culligan reserves the right to change the specifications referred to in this literature at any time, without prior notice. Culligan, AquaSensor, Tripl-Hull, and SoftMinder are trademarks of Culligan International Company or its affiliates.

Culligan International Company
9399 West Higgins Road, Suite 1100
Rosemont, Illinois 60018
1-847-430-2800
www.culligan.com



Contents

About this Manual.....	4
Thank You.....	5
Specifications	6
Introduction.....	7
How Your Water Conditioner Works	8
The Culligan Process	9
Modes of Operation.....	10
Navigating the Menus and Keypad.....	12
Set Date and Time.....	13
Information.....	15
Regeneration	17
Salt Supply, Usage and Service	19
Things to Check Before You Call for Service.....	20
Error Codes	21
When and How to Bypass Your Water Conditioner	23
Performance Data Sheet.....	24
Important Data on Your Water Softener	32
Parts List.....	33
Culligan Limited Warranty	40



About this Manual

This manual:

- Familiarizes the operator with the equipment
- Explains installation and setup procedures
- Provides basic programming information
- Explains the various modes of operation
- Gives specifications and troubleshooting information

Read this Manual First

Before you operate the Culligan High Efficiency 1.25 Automatic Water Softener, read this manual to become familiar with the device and its capabilities.

Installation or maintenance done on this system by an untrained service person can cause major damage to equipment or property damage. Not adhering to the recommended service/maintenance can cause damage to equipment or property damage.

Safe Practices

Throughout this manual there are paragraphs set off by special headings.

Notice (or Note) is used to emphasize installation, operation or maintenance information which is important, but does not present any hazard. For example,

NOTE: The nipple must extend no more than 1 inch above the cover plate.

Caution is used when failure to follow directions could result in damage to equipment or property.



CAUTION! Disassembly while under water pressure can result in flooding.

Warning is used to indicate a hazard which could cause injury or death if ignored.



WARNING! Electrical shock hazard! Unplug the unit before removing the timer mechanism or cover plates!

The CAUTION and WARNING paragraphs are not meant to cover all possible conditions and situations that may occur. Understand that common sense, caution, and careful attention are conditions which cannot be built into the equipment. These MUST be supplied by the personnel installing, operating, or maintaining the system.

Be sure to check and follow the applicable plumbing codes and ordinances when installing this equipment. Local codes may prohibit the discharge of sanitizing or descaling solutions to drain.

Use protective clothing and proper face or eye protection equipment when handling chemicals or tools.

NOTE: The Culligan High Efficiency 1.25 Softener is not intended for use with water that is microbiologically unsafe or of unknown quality without adequate disinfection either before or after the system.

NOTE: Check with your public works department for applicable local plumbing and sanitation codes. Follow local codes if they differ from the standards used in this manual. To ensure proper and efficient operation of the Culligan High Efficiency 1.25 Softener to your full satisfaction, carefully follow the instructions in this manual.



Welcome To Your New World of Better Living with Culligan Water.

The HE 1.25 water conditioners with Soft-Minder® meter and Aqua-Sensor® sensing device are tested and certified by WQA against NSF/ANSI Standard 372, CSA B483.1, and NSF/ANSI Standard 44 for the effective reduction of hardness (calcium and magnesium), barium, and radium 226/228 as verified and substantiated by test data.

The Culligan HE 1.25 Water Softener Controller Enclosure complies with the UL 50/50E for an IP46 Rating.

The following models are registered for sale with the State of California and the State of Iowa.

For installations in Massachusetts, the Massachusetts Plumbing Code 248 CMR shall be adhered to. Consult your licensed plumber for installation of this system. This system and its installation must comply with state and local regulations. The use of saddle valves is not permitted.

If this is your first experience having soft, conditioned water in your home, you'll be amazed at the marvelous difference it makes. We promise that you'll never want to be without it again.

Congratulations, too, on selecting one of the "first family" of water conditioners in the prestigious Culligan High Efficiency Water Softeners. With Culligan's many years of knowledge and experience in water treatment, you can be confident that the model you selected has been designed and engineered to provide years of service with a minimum of care and attention.

Some localities have corrosive water. A water softener cannot correct this problem and so its written warranty disclaims liability for corrosion of plumbing lines, fixtures or appliances. If you suspect corrosion, your Culligan Dealer has equipment to control the problem.

Licensed plumbers know that standard industry procedures include only to hand tighten or use strap wrenches on plastic parts. Plastic piping systems must be installed, operated and maintained in accordance with accepted standards and procedures. Not adhering to the recommended service/maintenance can cause damage to equipment or property damage.

NOTICE Sodium Information: Water softeners using sodium chloride for regeneration add sodium to the water. Persons who are on sodium restricted diets should consider the added sodium as part of their overall sodium intake.

Serial Numbers

The control valve serial number is located on the back of the electrical enclosure.
The media tank serial number is located on the top surface of the tank.

NOTE: DO NOT remove or destroy the serial number. It must be referenced on request for warranty repair or replacement.

Thank You



Specifications

**Culligan
High Efficiency
1.25 Water
Conditioners
with Aqua-
Sensor®
Device or Soft-
Minder® Meter—
Downflow
Regeneration**

Model	10"	12"	14"	16"
Control Valve	1¼" Reinforced Thermoplastic with GBE Circuit Board			
Overall Conditioner Height	62 in	60 in	73 in	73 in
Media Tank Design	Quadra-Hull™	Quadra-Hull™	Quadra-Hull™	Quadra-Hull™
Media Tank Dimensions (Dia x Ht)	10 x 54 in	12 x 52 in	14 x 65 in	16 x 65 in
Salt Storage Tank Dimensions (Dia x Ht)	18 x 43 in	18 x 43 in	24 x 40 in	24 x 40 in
Exchange Media, Type and Quantity	Cullex® Media, 1.5 ft³	Cullex® Media, 2.0 ft³	Cullex® Media, 3.0 ft³	Cullex® Media, 4.0 ft³
Underbedding, Type and Quantity	Cullsan® Underbedding, 15 lb	Cullsan® Underbedding, 20 lb	Cullsan® Underbedding, 25 lb	Cullsan® Underbedding, 30 lb
Exchange Capacity @ Salt Dosage Per Recharge	28,109 gr @ 6.0 lb 41,587 gr @ 12.0 lb 45,831 gr @ 18.0 lb	35,247 gr @ 8.0 lb 54,191 gr @ 16.0 lb 64,053 gr @ 24.0 lb	56,218 gr @ 12.0 lb 83,174 gr @ 24.0 lb 91,662 gr @ 36.0 lb	70,494 gr @ 16.0 lb 108,382 gr @ 32.0 lb 128,106 gr @ 48.0 lb
Efficiency Rated Dosage ¹	4,685 gr/lb @ 6 lb salt dosage	4,406 gr/lb @ 8 lb salt dosage	4,685 gr/lb @ 12 lb salt dosage	4,406 gr/lb @ 16 lb salt dosage
Freeboard to Media ²	14.5 in	16 in	25 in	25 in
Freeboard to Underbedding ³	47.5 in	46 in	59 in	59 in
Salt Storage Capacity	375 lb	375 lb	600 lb	600 lb
Rated Service Flow @ Pressure Drop	17.9 gpm @ 15 psi	19.3 gpm @ 15 psi	21.0 gpm @ 15 psi	22.0 gpm @ 15 psi
Total Hardness, Maximum	99 gpg			
Total Iron, Maximum	5 ppm			
Hardness to Iron Ratio, Minimum	8 gpg to 1 ppm			
Operating Pressure	20-125 psi			
Operating Pressure (Canada)	20-90 psi			
Operating Temp.	33-120°F			
Electrical Requirements	24V/60 Hz			
Electrical Power Consumption, Min/Max	8.4 Watts/21.6 Watts			
Drain Flow, Max. ⁴	2.38 gpm	3.88 gpm	5.5 gpm	5.5 gpm
Recharge Time, Average ⁵	85 min	84 min	82 min	96 min
Average Recharge Water Consumption ⁵	79.9 gal	113.1 gal	183.9 gal	250 gal

¹ The efficiency rated dosage is only valid at the stated salt dosage and is efficiency rated according to NSF/ANSI 44.

² Measured from top of media to top surface of tank threads. (backwashed and drained).

³ Measured from top of underbedding to top surface of tank threads.

⁴ Backwash at 120 psi (830 kPa).

⁵ 10 minute backwash, 6 lb 10" model, 8 lb. 12" model, 12 lb. 14" model or 16 lb. 16" model salt dosage.



It's All So Easy, So Economical, So Efficient, So Enjoyable!

Kind To Skin And Complexion

Soft water will help prevent red, itchy or dry skin because there are no hardness impurities to cause soreness, no soap curd to coat the skin. Shaving is easier, smoother—either with a blade or electric shaver.

Bathing And Showering

You'll use far less soap with conditioned water. Use your soap very sparingly—not as you did before soft water. Just a quick rinse removes all lather, leaving your skin pleasantly smooth and silky because now it's free of sticky soap curd and film.

Saves Washing Costs. Helps Control Environmental Pollution

Soft water washes whiter and cleaner with less soap or detergent. Because the hardness impurities are removed, your soap can concentrate solely on washing. People usually find that they can reduce the amount of soap they use substantially. If you normally use a cup per wash load with hard water, try using 1/3 cup depending on the size of your wash load and the degree of soil. Different amounts are required, but you can use less with softened water. An added bonus is the fact that your washable fabrics will last longer.

Super Hair Conditioning

Soft water is great for scalp and hair care. No insoluble deposits are formed. Hair is shinier, softer, more manageable. Reduce the amount of shampoo you have normally used.

Dishes Are A Delight

Washed by hand or in a dishwasher, glassware, dishes, and silver wash cleaner and easier. Follow your dishwasher manufacturer's instructions. Soft water promotes sanitation because no greasy hard water film can form to collect or harbor bacteria.

Easier Housekeeping, Gleaming Fixtures

You'll be amazed at the marvelous difference. Just a swish of the cloth and the bathtub or shower and fixtures are clean and sparkling. Imagine, no scouring! No hard water scum to cause rings, streaks, spots, and stains. To keep their gleaming luster, simply wipe fixtures with a towel after use. Formica, tile, walls, floors, and woodwork surfaces clean easier and stay clean longer. You'll save on cleaning aids and save on time.

Saves Water-Heating Energy, Helps Water-Using Appliances

Soft water reduces the formation of rock-like hard water scale that encrusts water heaters, hot water pipes, shower heads, and water-using appliances. This scale can cause premature maintenance and failure.

Elimination of hard water also provides substantial energy savings because scale acts as an insulator, wasting electricity or gas used to heat water.

Water For Lawns And Household Plants

If possible, lawn sprinkling faucets should be supplied with hard water primarily because it is not economical to soften so much water.

Household plants are much more sensitive than lawns with respect to which kind of water is best. First, because they receive no rainfall and, second, there is little or no drainage of the soil. Preferably they should be watered with rainwater or water which is low in mineral content such as distilled or demineralized water. Softened water is not recommended for house plants because a build-up of sodium in the soil may interfere with efficient absorption of water by the plant root system. Additional information may be obtained from your independently operated Culligan dealer.

Introduction



How Your Water Conditioner Works

Why Water Gets Hard And How It Is Softened

All of the fresh water in the world originally falls as rain, snow, or sleet. Surface water is drawn upward by the sun, forming clouds. Then, nearly pure and soft as it starts to fall, it begins to collect impurities as it passes through smog and dust-laden atmosphere. And as it seeps through soil and rocks it gathers hardness, rust, acid, unpleasant tastes and odors.

Water hardness is caused primarily by limestone dissolved from the earth by rainwater. Because of this, in earlier times people who wanted soft water collected rainwater from roofs in rain barrels and cisterns before it picked up hardness from the earth.

Some localities have corrosive water. A softener cannot correct this problem and so its written warranty disclaims liability for corrosion of plumbing lines, fixtures or appliances. If you suspect corrosion, your Culligan dealer has equipment to control the problem.

Iron is a common water problem.

The chemical/physical nature of iron found in natural water supplies is exhibited in four general types:

1. **Dissolved Iron**—Also called ferrous or “clear water” iron. This type of iron can be removed from the water by the same ion exchange principle that removes the hardness elements, calcium and magnesium. Dissolved iron is soluble in water and is detected by taking a sample of the water to be treated in a clear glass. The water in the glass is initially clear, but on standing exposed to the air, it may gradually turn cloudy or colored as it oxidizes.
2. **Particulate Iron**—Also called ferric or colloidal iron. This type of iron is an undissolved particle of iron. A softener will remove larger particles, but they may not be washed out in regeneration effectively and will eventually foul the ion exchange resin. A filtering treatment will be required to remove this type of iron.
3. **Organic Bound Iron**—This type of iron is strongly attached to an organic compound in the water. The ion exchange process alone cannot break this attachment and the softener will not remove this type of iron.
4. **Bacterial Iron**—This type of iron is protected inside a bacteria cell. Like the organic bound iron, it is not removed by a water softener.

When using a softener to remove both hardness and dissolved iron it is important that it regenerates more frequently than ordinarily would be calculated for hardness removal alone. Although many factors and formulas have been used to determine this frequency, it is recommended that the softener be regenerated when it has reached 50–75% of the calculated hardness alone capacity. This will minimize the potential for bed fouling. (Iron removal claims have not been verified by the Water Quality Association)

If you are operating a water softener on clear water iron, regular resin bed cleaning is needed to keep the bed from coating with iron. Even when operating a softener on water with less than the maximum of dissolved iron, regular cleanings should be performed. Clean every six months or more often if iron appears in your conditioned water supply. Use resin bed cleaning compounds carefully following the directions on the container.

NOTICE Do not use where the water is microbiologically unsafe or with water of unknown quality without adequate disinfection before or after the unit.



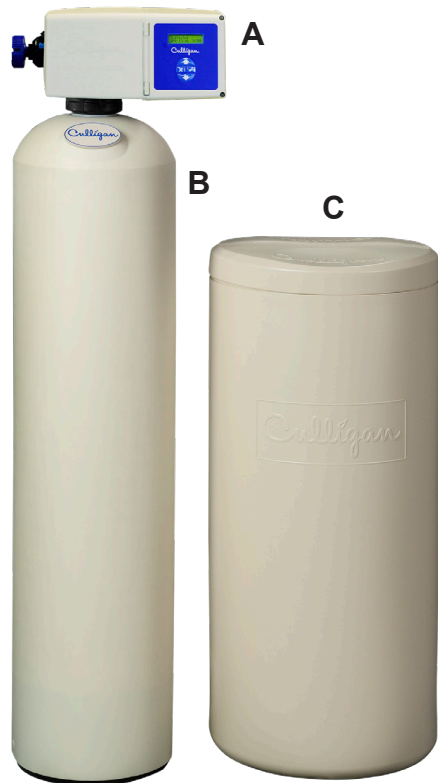
The Culligan Process

Your Culligan water conditioner consists of three basic components, (A) the Control Valve, (B) the Mineral Tank, and (C) the Brine System.

A. Control Valve

The exclusive Culligan control valve automatically performs a variety of tasks that are necessary for the proper operation of your water conditioner. These tasks, commonly referred to as cycles or operating positions, are **Service**, **Regeneration**, and **Brine Refill**.

1. **Service:** While the control valve is in the service cycle, hard water is directed down through the column of Cullex® resin where hardness minerals are removed from the water. The softened water is then directed into your household plumbing lines. The ability of the Cullex resin to remove hardness minerals needs to be periodically replenished; this is referred to as ...
2. **Regeneration:** While the control valve is in the regeneration cycle, water is first directed up through the column of Cullex resin to flush accumulated sediment out of the resin and down the drain. Then, the regenerant brine solution is slowly drawn from the bottom of the salt storage tank of the Brine System and is directed down through the column of Cullex resin, restoring the ability of the resin to remove hardness minerals from your water supply. Once completed, the regeneration cycle is followed by ...
3. **Brine Refill:** While the control valve is in the brine refill cycle, a predetermined amount of water is directed to the salt storage tank of the Brine System so that additional salt can be dissolved to provide the brine solution that will be needed for the next regeneration cycle.



B. The Mineral Tank

The Mineral Tank contains the Cullex resin column, Cullsan® underbedding, and an outlet manifold. The number of gallons of hard water that can be softened by the Cullex resin column before it needs regeneration is called the “capacity” of the resin column, and depends upon the amount of hardness minerals in each gallon of water (expressed as grains per gallon) and upon the amount of regenerant brine solution (expressed as pounds of salt) passed through the resin column during regeneration.

Your Culligan service person, taking into account the hardness of your water and the amount of softened water your household may reasonably expect to use each day, has carefully established how often the softener will regenerate and how much salt will be used for each regeneration. This will ensure that all of your soft water needs will be fulfilled without using an excessive amount of salt.

C. The Brine System

The Brine System consists of a salt storage container and hydraulic Dabl-Safe™ valve. The salt storage container holds the salt that is used to make the regenerant brine solution. The hydraulic Dabl-Safe valve limits the amount of water that is returned to the salt storage tank during the brine refill cycle.

Because a predetermined amount of salt is dissolved with each brine refill cycle, the salt must be periodically replenished in order to maintain efficient operation. Your Culligan service person will be able to tell you about how often salt must be added to the salt storage container.



Modes of Operation

Water Meter Mode

In water meter mode, the controller keeps track of the quantity of water that has flowed through the resin bed. Based on the influent water hardness and the hardness capacity of the resin bed, a service life expectancy in the quantity of softened water is calculated and programmed into the control. When the set point is reached, regeneration is triggered. If the predict mode is not selected the regeneration will start at time of regeneration. In immediate mode the regeneration starts as soon as the regeneration signal is provided. If time clock backup is set and the capacity has not been exhausted but the days since last regen is greater than time clock backup, setting the softener will immediately regenerate.

Aqua-Sensor® Mode

The Aqua-Sensor is a conductivity probe that senses when the hardness front passes through the resin bed. It functions independently of the influent water hardness so therefore, is useful in conditions when the influent water hardness varies throughout the year. It provides for the most efficient mode of operation. In addition to sensing when a resin bed is exhausted, it can also be used to determine when the brine solution is rinsed from the resin bed during the Brine Draw/Slow Rinse cycle triggering the control to move to fast rinse. This patented feature provides water savings by optimizing the amount of rinse water required to completely rinse out the resin bed.

Smart Brine Tank Probe

The smart brine tank probe monitors conditions inside the brine tank. It predicts when salt needs to be added to the brine tank, detects the presence of salt-bridging, eductor line plugging and brine tank overfilling.

Wireless Remote Control

The wireless remote control displays the current status of the water softener or filters and allows for remote control. It can be located up to 200 feet away from the softener (depending upon building construction materials). The wireless remote displays information about softener performance, problems, days of salt remaining and allows remote control for regeneration.

The wireless remote control is designed to communicate at 915 MHz and to work without interference with other 915 MHz devices such as cordless telephones and baby monitors.

Modem

The modem allows for the system to be remotely monitored detecting problems before they occur, to schedule salt delivery when it is needed and to keep the system software up to date with the latest advances.

Culligan Connect™


The Culligan Connect™ interface is an intuitive mobile app and is available on both iOS and Android.


Users will see their daily and weekly usage patterns graphically represented and instantly updated each time they open the app. In addition, low salt alerts and the ability to put the unit in bypass mode or regeneration from anywhere offer an all new level of control and convenience.

Manual Regeneration

Manual regeneration can be initiated via the softener control valve or wireless remote display.

Manual regeneration can be initiated to begin regeneration immediately or that night.

To immediately initiate regeneration, press and hold  for at least ten (10) seconds.

To cancel a delayed regeneration, press and hold  for at least five (5) seconds.



Predict Mode

The Predict Mode is used with the flow meter to determine the optimum regeneration point. Before the regeneration starts, the control will compare the remaining capacity value with the average daily water use. If the average daily water usage is less than the reserve capacity, the controller will wait 24 more hours before regeneration. If the reserve capacity is less than the average daily water usage, the control will initiate regeneration. This works in delay mode only. At any time, if the total capacity value is reached, the control will initiate an immediate regeneration.

Pre-Rinse Mode

The Pre-rinse mode is used to pre-rinse the softener resin bed or filter media. The pre-rinse in flow meter mode will occur after the control has sensed that no water has flowed through the control for a period of X hours (can be set through the programming menu). When the control is in this mode, once the X amount of hours have elapsed the control will cycle to the fast rinse position for the pre-set length of minutes and then return to the home or service position.

Down Flow Regeneration

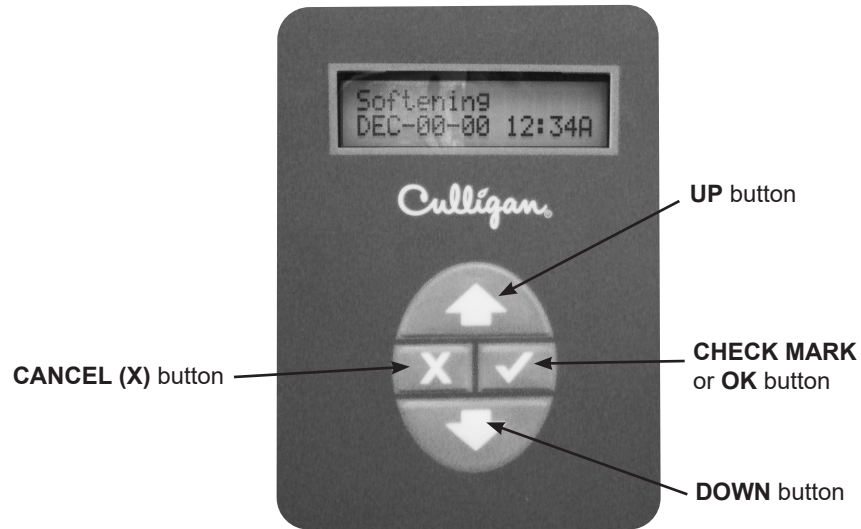
Water and regenerate flow downward through the media tank.

Dial-A-Softness®

Dial-A-Softness is a manual adjustment built into the control valve that allows for variable hardness bypass into the softened water. The hard water bypass can be adjusted from 0% to 30%. The Dial-A-Softness also increases the softener capacity in proportion to the percent hard water bypass (less salt used).



Navigating the Menus and Keypad



UP ARROW button: scrolls up the menu



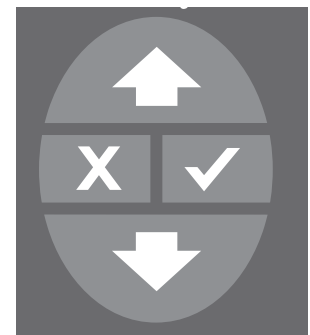
DOWN ARROW button: scrolls down the menu



CHECK MARK button: selects the highlighted option, opens a new screen, or accepts a changed setting



CANCEL or **X** button: returns to the previous screen or cancels a changed setting



Controller



Remote

NOTE: Hold down  or  to quickly scroll through the setting without repeatedly pressing the button.



Set Date and Time

Follow this procedure to update the date or time.

NOTE: The control must be returned to the HOME screen if settings are changed.

Screen Display	Range	Setting Description
SOFTENING JAN-01-17 12:01P	N/A	1. From the HOME screen, press to view the main menu.
>1) INFORMATION 2) MANUAL MODE	1-6	2. The screen displays the main menu. Press to select 3)SET DATE/TIME .
Set Month		
SET MONTH >JAN	Jan- Dec	3. The screen displays the month setting. Press or and then to change the setting.
Set Day		
SET DAY >1	1-31	4. The screen displays the day setting. Press or and then to change the setting.
Set Year		
SET YEAR >2017	2009- 2030	5. The screen displays the year setting. Press or and then to change the setting.
Set Clock Type		
CLOCK TYPE > 12 HR	12 HR, 24 HR	6. The screen displays the clock type setting. Press or and then to change the setting.
Set Hour		
SET HOUR > 12PM	12PM- 11AM, 0-23	7. The screen displays the hour setting. Press or and then to change the setting.
Set Minutes		
SET MINUTES >01	0-59	8. The screen displays the minutes setting. Press or and then to change the setting.



Screen Display	Range	Setting Description
Set Daylight Savings Time		
<div style="border: 1px solid black; padding: 5px;"> DAYLIGHT SAVING YES </div>	Yes, No	9. The screen displays the Daylight Savings Time setting. Press <input checked="" type="checkbox"/> <input type="checkbox"/> or <input type="checkbox"/> <input checked="" type="checkbox"/> and then <input checked="" type="checkbox"/> to change the setting.
<div style="border: 1px solid black; padding: 5px;"> 2) MANUAL MODE >3) SET DATE/TIME </div>		10. The screen displays the main menu. Press <input checked="" type="checkbox"/> to save the changes and initialize the system.
<div style="border: 1px solid black; padding: 5px;"> SOFTENING JAN-01-17 12:01P </div>		11. The screen displays the home screen.







Information

The following information can be displayed at the control valve or remote display. These settings are read-only. Press or to scroll through the settings. Press to view the previous setting.

Screen Display	Range	Setting Description
SOFTENING JAN-01-17 12:01P	N/A	1. From the HOME screen, press to view the main menu.
>1) INFORMATION 2) MANUAL MODE	1-6	2. The screen displays the main menu. Press to select 1) INFORMATION .
SALT TANK LEVEL OK	OK, Low	3. If a Salt Brine Tank is installed, this screen displays the salt level. The status is OK unless the SBT probe detects and overfilled brine tank or low salt level. If the screen displays LOW a subsequent screen displays APPROX DAYS OF SALT REMAINING . Press to select the next information screen.
REMAIN CAPACITY 100%	0-100	4. The screen displays the softening capacity remaining, displayed as a percentage of the total capacity. During manually initiated regeneration, assume 0 percent remaining capacity. Press to select the next information screen.
REMAIN CAPACITY 740 GAL	0-no limit	5. The screen displays the softening capacity remaining, measured in gallons (liters). Press to see the next information screen.
CURRENT FLOWRATE 0.0 GPM	0-no limit	6. The screen displays the current flow rate, measured in gallons (liters) per minute. Press to see the next information screen.
TODAY'S USAGE 0 GAL	0-no limit	7. The screen displays today's water usage, measured in gallons (liters). Press to see the next information screen.
AVERAGE DAILY 300 GAL	0-no limit	8. The screen displays average water usage for this configuration. Press to see the next information screen.



Screen Display	Range	Setting Description
NEXT REGEN ON JAN-03	N/A	9. The screen displays the date of the next regeneration, based on average daily water usage. Press  to see the next information screen.
DEALER ID	N/A	10. This is the local dealer's eight-digit identification number as entered during the First Time Setup.
TOTAL WATER USED 1000 GAL	0–no limit	11. The screen the total water used for this configuration. Whole numbers are displayed above 100 gallons. Press  to see the next information screen.
EXT FILT CAP REM 20000 GAL	0–no limit	12. If an external filter is used, the screen displays the remaining capacity of the filter. When the remaining capacity reaches zero, the system triggers the External Filter Alarm. Press  to return to the main menu.
>1) INFORMATION 2) MANUAL MODE		13. The screen displays the main menu. Press  to exit to the home screen.
SOFTENING JAN-01-17 12:01P		14. The screen displays the home screen.



Regeneration

There are several conditions that will cause the control to trip a regeneration. The screen displays REGEN Tonite when the control has signaled for a regeneration. Regenerating is displayed while the control is in regeneration. The following are conditions that will call for regeneration:

1. When the Soft-Minder® meter has recorded the passage of a predetermined number of gallons.
2. When the Aqua-Sensor® Probe senses the hardness in the Culllex Media.
3. At the preset time, when the number of days without a regeneration is equal to the regeneration interval (timeclock backup) setting.
4. At the preset time, when Regen Tonite is selected. The screen displays Regen Tonite.
5. Immediately, when the Regen Now is selected. The screen displays Regenerating.
6. Immediately, if power to the unit has been off for more than three hours and the time of day has been restored.
7. At the preset time based on "Day-of-Week" Regeneration setting.

Follow either procedure to bypass the softener or to initiate a manual regeneration or automatically bypass the softener at the control valve or the remote display.

Delayed Regeneration

Screen Display	Range	Setting Description
<div style="border: 1px solid black; padding: 5px;"> SOFTENING JAN-01-17 12:01P </div>	N/A	1. From the HOME screen, press <input checked="" type="checkbox"/> and hold for at least three (3)seconds and then release the button.
<div style="border: 1px solid black; padding: 5px;"> REGEN TONITE JAN-01-17 12:01P </div>	Regen Tonite	2. The screen displays the regeneration status on the first line of the display. The system will regenerate at a scheduled time.
<div style="border: 1px solid black; padding: 5px;"> REGEN OFF JAN-01-17 12:01P </div>	Regen Off	3. To cancel a delayed regeneration, press <input checked="" type="checkbox"/> and hold for at least three (3) seconds and then release the button. The screen displays the new status.

Immediate Regeneration

Screen Display	Range	Setting Description
<div style="border: 1px solid black; padding: 5px;"> SOFTENING JAN-01-17 12:01P </div>	N/A	1. From the HOME screen, press <input checked="" type="checkbox"/> and hold for at least ten (10) seconds.
<div style="border: 1px solid black; padding: 5px;"> REGEN NOW JAN-01-17 12:01P </div>	Regen Now	2. The screen displays the regeneration status on the first line of the display. The softener will initiate an immediate regeneration.
<div style="border: 1px solid black; padding: 5px;"> REGENERATING JAN-01-17 12:01P </div>	N/A	3. The first line of the screen displays REGENERATING.



Standard Manual Regeneration

Screen Display	Range	Setting Description
SOFTENING JAN-01-17 12:01P	N/A	1. From the HOME screen, press to view the main menu.
1) INFORMATION >2) MANUAL MODE	1-6	2. The screen displays the main menu. Press to select 2)MANUAL MODE .
MANUAL MODE >REGEN NOW	Regen Off Regen Now Regen Tonite Bypass	3. The screen displays the manual regeneration menu. Press or and then to change the setting. REGEN NOW is the default. REGEN OFF specifies the softener will not regenerate. REGEN TONITE specifies that the softener will regenerate that night at 2:00 a.m. (or at the preset regeneration time). The screen displays two status messages: SOFTENING and REGEN TONITE . BYPASS specifies a preset softener bypass time. Press to select the total time the softener is in the bypass state.
MANUAL BYPASS OFF	Off, 30, 60, 90, 120, 180, Manual Bypass	4. The screen displays the manual bypass duration, in minutes. This specifies the total time the softener is to be in the bypass state. Press or and then to change the setting.
SOFTENING JAN-01-17 12:01P	N/A	5. Press to display the home screen.



Salt Supply, Usage and Service

Salt is the mineral used to “recharge” your water conditioner. A brine solution is automatically made up in the bottom of the salt storage container, the Cullex® resin beads in the mineral tank are flushed with the brine solution as a step in the recharging process.

Your Culligan Water Conditioner has been carefully designed to get the greatest amount of softening capacity from the salt it uses. Here is some pertinent information about salt usage, types and service.

Salt Economizer

This control is set at the time of installation, and determines salt usage according to the water hardness, number of persons in the household, and water usage.

What Kind of Salt is Best

All Culligan Water Conditioners are designed to use any water conditioner salt of good quality, including rock, pellet, solar, or “evaporated” types.

All rock salt, regardless of source, contains insoluble material which collects at the bottom of the salt storage tank and requires periodic clean-out.

If purified salt products are used, the salt storage compartment will require less frequent clean-out, but you must check more frequently for “bridging.”

Regardless of what type of salt is used, we recommend Culligan Brand Salt as suggested by your Culligan Dealer. He or she is the expert and can provide you with the best product for your Culligan Water Conditioner.

Automatic Salt Delivery Service

Ask your Culligan Dealer for details about salt delivery service. You can have your salt supply replenished on a regular basis. Whether you have automatic delivery service or pick up salt from your Culligan Dealer, you will be getting quality salt packaged according to rigid Culligan specifications. Using Culligan Brand Salt will help assure continued efficiency and trouble-free operation of your water conditioner.

The modem allows for the system to be remotely monitored, detecting problems before they occur, to schedule salt delivery when it is needed and to keep the system software up to date with the latest advances.

NOTICE Sodium Information: Water softeners using sodium chloride for regeneration add sodium to the water. Persons who are on sodium restricted diets should consider the added sodium as part of their overall sodium intake.



Things to Check Before You Call for Service

If you unexpectedly experience changes in your water, make these simple checks before calling your Culligan dealer. One of the following conditions may be the reason for your interruption of service.

Important

If any of the following conditions is found, the water softener should be manually regenerated according to instructions on [page 17](#) after you have corrected the problem.

Power Supply

Check your power supply cord. Is it plugged fully into the electric outlet? Be certain that the outlet is not controlled by a wall switch which has been turned off. Plug in the transformer then reset conditioner to the correct time of day.

Blown Fuse

Check the house fuse or circuit breaker panel. Replace a blown-out fuse or reset an open circuit breaker.

Power Failure

Any interruption in your power supply or time change—such as daylight savings—will disrupt your softener's regeneration schedule by causing the timer to run off-schedule. Reset the timer to the correct time of day.

Bypass Valves

Check to see if they are in the proper position. Cul-Flo-Valv[®] Bypass, if used, should be in the "Service" position (see [page 23](#)). If hand valves are used, see that inlet and outlet valve are opened and that the bypass valve is closed.

No Water

If you aren't getting any water flow at all, make sure your water supply is working. Open a tap ahead of the conditioner (outside tap) to see if you have any water pressure. If you have water pressure, check the bypass valve. If it is in the Service position, put it into the bypass and call your Culligan dealer for service.

Increased Usage

Guests, family additions, new water-using appliances, etc., will result in more water usage and will require more capacity from your softener. You can reprogram your regeneration schedule by following the directions beginning on [page 17](#). Call your Culligan dealer for advice and save a service call.



Error Codes

The controller display, as well as the Remote Display (if connected), may display the following errors.

```
PROBLEM FOUND
APR-01-17 10:01A
```

1. When the controller identifies an error, it is programmed to attempt to correct the error without user input. If the problem persists, the **HOME SCREEN** displays **PROBLEM FOUND**. Press to display the first error present.

```
REPLACE FILTER
MEDIA
```

2. Press to display any additional errors present.

```
-->CLEAR ERRORS
```

3. Press and to view action: **CLEAR ERRORS, GO TO MENU, or EXIT**. If you select **CLEAR ERRORS**, the controller checks the error status and attempts to clear the error. If the error still exists, the home screen displays **PROBLEM FOUND**. If the error no longer exists the screen displays **SYSTEM OK**.

```
-->GO TO MENU
```

4. Press to select **CLEAR ERRORS, GO TO MENU, or EXIT**.

Error	Reason for Error	Comment/ Clearing Error Message
Aqua Sens Probe	An Aqua-Sensor was "Installed" but main board detects the Aqua-Sensor is not connected. The board might not be detecting the 2.5V power supply	Contact your local Culligan dealer.
Brine Blocked	The brine draw rate of water to the brine tank was longer than normal.	Contact your local Culligan dealer.
Brine Overfill	Too much water in brine tank. Plugged drain line flow control (Unit will not draw brine). Plugged eductor system (Unit will not draw brine). Slow leak to brine line. Faulty eductor piston. Power outage while control was in refill position.	Contact your local Culligan dealer.
Call Culligan at xxx-xxx-xxxx	This message is displayed if an error has been detected that requires servicing and no modem installed in the system.	Contact your local Culligan dealer.
Check Brine Tank	Aqua-Sensor did not detect brine during the regeneration cycle.	Contact your local Culligan dealer.



Error	Reason for Error	Comment/ Clearing Error Message
Check SBT Sensor	SBT sensor indicated improper signals at the beginning of the refill cycle.	Contact your local Culligan dealer.
Low Battery	Battery needs replacement.	Contact your local Culligan dealer.
Low Salt Level	Salt level is low; less than 15 days of salt remaining.	Contact your local Culligan dealer.
Motor Home Err	The controller failed to detect proper position sensor feed back during INITIALIZATION (not during a regen or progressive flow)	Contact your local Culligan dealer.
No Brine In Tank	Failure to refill brine tank. Refill restrictor plugged. Air in brine line causes float to slam shut.	Contact your local Culligan dealer.
No Refill	Failure to refill brine tank. Refill restrictor plugged. Air in brine line cause float to slam shut.	Contact your local Culligan dealer.
No Remote Signal	Main board is not receiving a signal from the remote.	Contact your local Culligan dealer.
Pos Sensor Err/ Motor Position Error	The controller is seeking a known valve position before/during/after a regen, or during progressive flow, but cannot find it (this error does NOT appear during initialization).	Contact your local Culligan dealer.
Replace Ext Filt	Total gallons through the secondary filter (i.e. "Big Blue" filter) has exceeded the specified capacity of the Big Blue.	Contact your local Culligan dealer.
Salt Bridging	Brine tank has low concentration of brine, but solid salt exists above the liquid brine level.	Contact your local Culligan dealer.



When and How to Bypass Your Water Conditioner

Normally, all water except outside lines passes through the water softener. There are times when the water softener should be bypassed, using the Cul-Flo-Valv® Bypass, or a three-way bypass valve. You should bypass:

1. If lines to outside faucets do not bypass the water softener, and you do not want to waste softened water on lawn sprinkling or other outside uses.
2. If you are going away on vacation and do not want the unit to recharge.

Bypass Valve

In the back of Culligan water softener is a Cul-Flo-Valv® Bypass valve. To bypass the unit, turn the blue knob clockwise. To return to softened water service, turn the blue knob counter-clockwise.

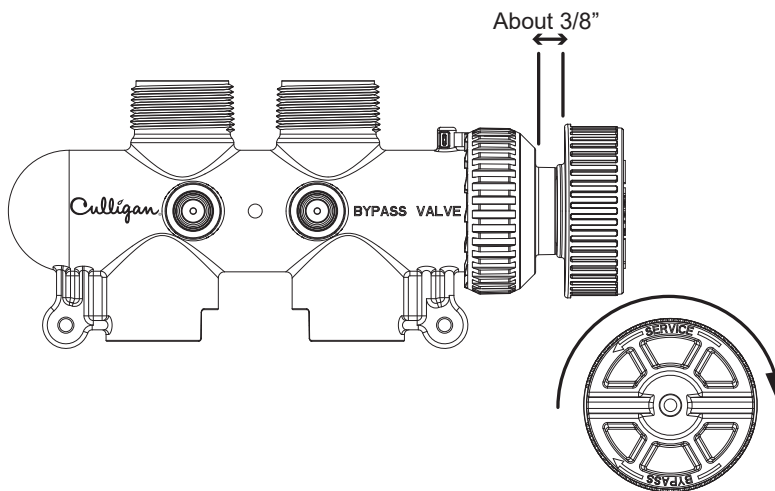


Figure 1. Bypass valve.

Bypassed

To BYPASS, turn the blue knob clockwise (see directional arrow on end of knob) until the knob stops as shown in [Figure 1](#). DO NOT OVERTIGHTEN!

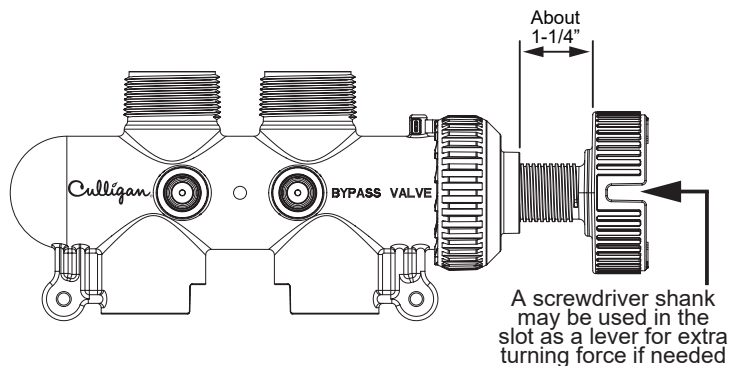


Figure 2. Service valve.



Performance Data Sheet

Culligan HE 1.25 10" Water Softener with Soft-Minder® Meter

Culligan knows the more informed you are about your water treatment systems, the more confident you will be about its performance. It's because of this and more than seventy years of commitment to customer satisfaction that Culligan is providing this Performance Data Sheet to its customers.

NOTICE Read this Performance Data Sheet and compare the capabilities of this unit with your actual water treatment needs. It is recommended that before purchasing a water treatment unit, you have your water supply tested to determine your actual water treatment needs.

Manufacturer: Culligan International Company
 9399 W. Higgins Rd., Suite 1100, Rosemont, IL 60018 USA
 (847) 430-2800
www.culligan.com

Product: Culligan High Efficiency 1.25 10" Water Softener with Soft-Minder® Meter

Testing Conditions & Results:

Flow Rate:	14.9 gpm @ 15 psi	Capacity:	28,109 grains @ 6.0 lb. salt
Pressure:	30–40 psi (2.1–2.8 kg/cm ²)		41,587 grains @ 12.0 lb. salt
Acidity:	Non-Corrosive		45,831 grains @ 18.0 lb. salt
Temperature:	68°F (20°C)	pH:	7.6
Efficiency Rated Dosage†:	4,685 gr @ 6.0 lb		

Softener Specifications:

Service Flow Rate:	14.9 gpm	Pressure Drop at Max. Flow Rate:	15 psi
Operating Temp. Range:	33–120°F (0–49°C)	Max. Drain Flow Rate:	2.0 gpm
Working Press. Range:	20–125 psi (1.4–8.5 kg/cm ²)	Oper. Press. Range (Canada):	20–90 psi (1.4–6.3 kg/cm ²)

Name of Substance	USEPA Max. Contaminant Level	pH	Flow Rate	Pressure
Barium	2.0 mg/L	7.5 + 0.5	14.9 gpm	15 (psig)
Radium 226/228	5 pCi/L	7.5 + 0.5	14.9 gpm	15 (psig)

This system is certified for barium and radium 226/228 reduction based on hardness reduction. It is recommended you test your water every six months to ensure the system is performing properly and that hardness, and therefore barium and radium 226/228, are being reduced. Hardness test strips have been included. Additional strips are available from your local Culligan dealer.

The Culligan High Efficiency 1.25 Series 10" Water Softeners with Soft-Minder® Meter are tested and certified by WQA against NSF/ANSI Standard 372, CSA B483.1, and NSF/ANSI Standard 44 for the effective reduction of hardness (calcium and magnesium), barium, and radium 226/228 as verified and substantiated by test data. To maintain product certification and ensure uniform performance, the product is retested on a consistent basis.



The Culligan High Efficiency 1.25 Series 10" Water Softeners are registered under California Water Treatment Device Registration Number 3057. The Culligan High Efficiency 1.25 Series 10" Water Softeners with Soft-Minder® Meter are registered under Iowa Water Treatment Device Registration Number 20662.

An efficiency rated water softener is a DIR softener which also complies with specific performance specifications intended to minimize the amount of regenerant brine and water used in its operation. Efficiency rated water softeners shall have a rated salt efficiency of not less than 3350 grains of total hardness exchange per pound of salt (based on NaCl equivalency) (477 grams of total hardness exchange per kilogram of salt), and shall not deliver more salt than its listed rating. The efficiency is measured by a laboratory test described in NSF/ANSI 44. The test represents the maximum possible efficiency the system can achieve. Operational efficiency is the actual efficiency achieved after the system has been installed. It is typically less than the efficiency due to individual application factors including water hardness, water usage, and other contaminants that reduce the softener's capacity.

Refer to the Specifications, Familiarization and Warranty section of this Owner's Guide (P/N 01024584) for more specific product information. To avoid contamination from improper handling and installation, your system should only be installed and serviced by your Culligan dealer. Performance will vary based on local water conditions. The substances reduced by this system are not necessarily in your water.

Culligan water softeners are designed to work with any salt of good quality, although it is recommended that you ask your local Culligan dealer for his suggestion on the best type and grade of salt to use in this softener.

NOTICE This softener is not intended to be used for treating water that is microbiologically unsafe or of unknown quality without adequate disinfection before or after the system.

†The efficiency rated dosage is only valid at the 6 lb. salt dosage and maximum service flow rate for 10" models.

Buyer Signature _____ Date _____
 Seller Signature _____ Date _____



Performance Data Sheet

Culligan HE 1.25 10" Water Softener with Aqua-Sensor® Sensing Device

Culligan knows the more informed you are about your water treatment systems, the more confident you will be about its performance. It's because of this and more than seventy years of commitment to customer satisfaction that Culligan is providing this Performance Data Sheet to its customers.

NOTICE Read this Performance Data Sheet and compare the capabilities of this unit with your actual water treatment needs. It is recommended that before purchasing a water treatment unit, you have your water supply tested to determine your actual water treatment needs.

Manufacturer: Culligan International Company
 9399 W. Higgins Rd., Suite 1100, Rosemont, IL 60018 USA
 (847) 430-2800
www.culligan.com

Product: Culligan High Efficiency 1.25 10" Water Softener with Aqua-Sensor® Sensing Device

Testing Conditions & Results:

Flow Rate:	14.9 gpm @ 15 psi	Capacity:	28,109 grains @ 6.0 lb. salt
Pressure:	30–40 psi (2.1–2.8 kg/cm ²)		41,587 grains @ 12.0 lb. salt
Acidity:	Non-Corrosive		45,831 grains @ 18.0 lb. salt
Temperature:	68°F (20°C)	pH:	7.6
Efficiency Rated Dosage†:	4,685 gr @ 6.0 lb		

Softener Specifications:

Service Flow Rate:	14.9 gpm	Pressure Drop at Max. Flow Rate:	15 psi
Operating Temp. Range:	33–120°F (0–49°C)	Max. Drain Flow Rate:	2.0 gpm
Working Press. Range:	20–125 psi (1.4–8.5 kg/cm ²)	Oper. Press. Range (Canada):	20–90 psi (1.4–6.3 kg/cm ²)

Name of Substance	USEPA Max. Contaminant Level	pH	Flow Rate	Pressure
Barium	2.0 mg/L	7.5 + 0.5	14.9 gpm	15 (psig)
Radium 226/228	5 pCi/L	7.5 + 0.5	14.9 gpm	15 (psig)

This system is certified for barium and radium 226/228 reduction based on hardness reduction. It is recommended you test your water every six months to ensure the system is performing properly and that hardness, and therefore barium and radium 226/228, are being reduced. Hardness test strips have been included. Additional strips are available from your local Culligan dealer.

The Culligan High Efficiency 1.25 Series 10" Water Softeners with Aqua-Sensor® Sensing Device are tested and certified by WQA against NSF/ANSI Standard 372, CSA B483.1, and NSF/ANSI Standard 44 for the effective reduction of hardness (calcium and magnesium), barium, and radium 226/228 as verified and substantiated by test data. To maintain product certification and ensure uniform performance, the product is retested on a consistent basis.



The Culligan High Efficiency 1.25 Series 10" Water Softeners with Aqua-Sensor® Sensing Device are registered under Iowa Water Treatment Device Registration Number 20662.

An efficiency rated water softener is a DIR softener which also complies with specific performance specifications intended to minimize the amount of regenerant brine and water used in its operation. Efficiency rated water softeners shall have a rated salt efficiency of not less than 3350 grains of total hardness exchange per pound of salt (based on NaCl equivalency) (477 grams of total hardness exchange per kilogram of salt), and shall not deliver more salt than its listed rating. The efficiency is measured by a laboratory test described in NSF/ANSI 44. The test represents the maximum possible efficiency the system can achieve. Operational efficiency is the actual efficiency achieved after the system has been installed. It is typically less than the efficiency due to individual application factors including water hardness, water usage, and other contaminants that reduce the softener's capacity.

Refer to the Specifications, Familiarization and Warranty section of this Owner's Guide (P/N 01024584) for more specific product information. To avoid contamination from improper handling and installation, your system should only be installed and serviced by your Culligan dealer. Performance will vary based on local water conditions. The substances reduced by this system are not necessarily in your water.

Culligan water softeners are designed to work with any salt of good quality, although it is recommended that you ask your local Culligan dealer for his suggestion on the best type and grade of salt to use in this softener.

NOTICE This softener is not intended to be used for treating water that is microbiologically unsafe or of unknown quality without adequate disinfection before or after the system.

†The efficiency rated dosage is only valid at the 6 lb. salt dosage and maximum service flow rate for 10" models.

Buyer Signature _____ Date _____

Seller Signature _____ Date _____



Performance Data Sheet

Culligan HE 1.25 12" Water Softener with Soft-Minder® Meter

Culligan knows the more informed you are about your water treatment systems, the more confident you will be about its performance. It's because of this and more than seventy years of commitment to customer satisfaction that Culligan is providing this Performance Data Sheet to its customers.

NOTICE Read this Performance Data Sheet and compare the capabilities of this unit with your actual water treatment needs. It is recommended that before purchasing a water treatment unit, you have your water supply tested to determine your actual water treatment needs.

Manufacturer: Culligan International Company
 9399 W. Higgins Rd., Suite 1100, Rosemont, IL 60018 USA
 (847) 430-2800
www.culligan.com

Product: Culligan High Efficiency 1.25 12" Water Softener with Soft-Minder® Meter

Testing Conditions & Results:

Flow Rate:	17.9 gpm @ 15 psi	Capacity:	35,247 grains @ 8.0 lb. salt
Pressure:	30–40 psi (2.1–2.8 kg/cm ²)		54,191 grains @ 16.0 lb. salt
Acidity:	Non-Corrosive		64,053 grains @ 24.0 lb. salt
Temperature:	68°F (20°C)	pH:	7.6
Efficiency Rated Dosage†:	4,406 gr @ 8 lb.		

Softener Specifications:

Service Flow Rate:	17.9 gpm	Pressure Drop at Max. Flow Rate:	15 psi
Operating Temp. Range:	33–120°F (0–49°C)	Max. Drain Flow Rate:	3.5 gpm
Working Press. Range:	20–125 psi (1.4–8.5 kg/cm ²)	Oper. Press. Range (Canada):	20–90 psi (1.4–6.3 kg/cm ²)

Name of Substance	USEPA Max. Contaminant Level	pH	Flow Rate	Pressure
Barium	2.0 mg/L	7.5 + 0.5	17.9 gpm	15 (psig)
Radium 226/228	5 pCi/L	7.5 + 0.5	17.9 gpm	15 (psig)

This system is certified for barium and radium 226/228 reduction based on hardness reduction. It is recommended you test your water every six months to ensure the system is performing properly and that hardness, and therefore barium and radium 226/228, are being reduced. Hardness test strips have been included. Additional strips are available from your local Culligan dealer.

The Culligan High Efficiency 1.25 Series 12" Water Softeners with Soft-Minder® Meter are tested and certified by WQA against NSF/ANSI Standard 372, CSA B483.1, and NSF/ANSI Standard 44 for the effective reduction of hardness (calcium and magnesium), barium, and radium 226/228 as verified and substantiated by test data. To maintain product certification and ensure uniform performance, the product is retested on a consistent basis.



The Culligan High Efficiency 1.25 Series 12" Water Softeners are registered under California Water Treatment Device Registration Number 3058. The Culligan High Efficiency 1.25 Series 12" Water Softeners with Soft-Minder® Meter are registered under Iowa Water Treatment Device Registration Number 20663.

An efficiency rated water softener is a DIR softener which also complies with specific performance specifications intended to minimize the amount of regenerant brine and water used in its operation. Efficiency rated water softeners shall have a rated salt efficiency of not less than 3350 grains of total hardness exchange per pound of salt (based on NaCl equivalency) (477 grams of total hardness exchange per kilogram of salt), and shall not deliver more salt than its listed rating. The efficiency is measured by a laboratory test described in NSF/ANSI 44. The test represents the maximum possible efficiency the system can achieve. Operational efficiency is the actual efficiency achieved after the system has been installed. It is typically less than the efficiency due to individual application factors including water hardness, water usage, and other contaminants that reduce the softener's capacity.

Refer to the Specifications, Familiarization and Warranty section of this Owner's Guide (P/N 01024584) for more specific product information. To avoid contamination from improper handling and installation, your system should only be installed and serviced by your Culligan dealer. Performance will vary based on local water conditions. The substances reduced by this system are not necessarily in your water.

Culligan water softeners are designed to work with any salt of good quality, although it is recommended that you ask your local Culligan dealer for his suggestion on the best type and grade of salt to use in this softener.

NOTICE This softener is not intended to be used for treating water that is microbiologically unsafe or of unknown quality without adequate disinfection before or after the system.

†The efficiency rated dosage is only valid at the 8 lb. salt dosage and maximum service flow rate for 12" models.

Buyer Signature _____ Date _____
 Seller Signature _____ Date _____



Performance Data Sheet

Culligan HE 1.25 12" Water Softener with Aqua-Sensor® Sensing Device

Culligan knows the more informed you are about your water treatment systems, the more confident you will be about its performance. It's because of this and more than seventy years of commitment to customer satisfaction that Culligan is providing this Performance Data Sheet to its customers.

NOTICE Read this Performance Data Sheet and compare the capabilities of this unit with your actual water treatment needs. It is recommended that before purchasing a water treatment unit, you have your water supply tested to determine your actual water treatment needs.

Manufacturer: Culligan International Company
 9399 W. Higgins Rd., Suite 1100, Rosemont, IL 60018 USA
 (847) 430-2800
www.culligan.com

Product: Culligan High Efficiency 1.25 12" Water Softener with Aqua-Sensor® Sensing Device

Testing Conditions & Results:

Flow Rate:	17.9 gpm @ 15 psi	Capacity:	35,247 grains @ 8.0 lb. salt
Pressure:	30–40 psi (2.1–2.8 kg/cm ²)		54,191 grains @ 16.0 lb. salt
Acidity:	Non-Corrosive		64,053 grains @ 24.0 lb. salt
Temperature:	68°F (20°C)	pH:	7.6
Efficiency Rated Dosage†:	4,406 gr @ 8 lb.		

Softener Specifications:

Service Flow Rate:	17.9 gpm	Pressure Drop at Max. Flow Rate:	15 psi
Operating Temp. Range:	33–120°F (0–49°C)	Max. Drain Flow Rate:	3.5 gpm
Working Press. Range:	20–125 psi (1.4–8.5 kg/cm ²)	Oper. Press. Range (Canada):	20–90 psi (1.4–6.3 kg/cm ²)

Name of Substance	USEPA Max. Contaminant Level	pH	Flow Rate	Pressure
Barium	2.0 mg/L	7.5 + 0.5	17.9 gpm	15 (psig)
Radium 226/228	5 pCi/L	7.5 + 0.5	17.9 gpm	15 (psig)

This system is certified for barium and radium 226/228 reduction based on hardness reduction.

It is recommended you test your water every six months to ensure the system is performing properly and that hardness, and therefore barium and radium 226/228, are being reduced. Hardness test strips have been included. Additional strips are available from your local Culligan dealer.

The Culligan High Efficiency 1.25 Series 12" Water Softeners with Aqua-Sensor® Sensing Device are tested and certified by WQA against NSF/ANSI Standard 372, CSA B483.1, and NSF/ANSI Standard 44 for the effective reduction of hardness (calcium and magnesium), barium, and radium 226/228 as verified and substantiated by test data. To maintain product certification and ensure uniform performance, the product is retested on a consistent basis.



The Culligan High Efficiency 1.25 Series 12" Water Softeners with Aqua-Sensor® Sensing Device are registered under Iowa Water Treatment Device Registration Number 20663.

An efficiency rated water softener is a DIR softener which also complies with specific performance specifications intended to minimize the amount of regenerant brine and water used in its operation. Efficiency rated water softeners shall have a rated salt efficiency of not less than 3350 grains of total hardness exchange per pound of salt (based on NaCl equivalency) (477 grams of total hardness exchange per kilogram of salt), and shall not deliver more salt than its listed rating. The efficiency is measured by a laboratory test described in NSF/ANSI 44. The test represents the maximum possible efficiency the system can achieve. Operational efficiency is the actual efficiency achieved after the system has been installed. It is typically less than the efficiency due to individual application factors including water hardness, water usage, and other contaminants that reduce the softener's capacity.

Refer to the Specifications, Familiarization and Warranty section of this Owner's Guide (P/N 01024584) for more specific product information. To avoid contamination from improper handling and installation, your system should only be installed and serviced by your Culligan dealer. Performance will vary based on local water conditions. The substances reduced by this system are not necessarily in your water.

Culligan water softeners are designed to work with any salt of good quality, although it is recommended that you ask your local Culligan dealer for his suggestion on the best type and grade of salt to use in this softener.

NOTICE This softener is not intended to be used for treating water that is microbiologically unsafe or of unknown quality without adequate disinfection before or after the system.

†The efficiency rated dosage is only valid at the 8 lb. salt dosage and maximum service flow rate for 12" models.

Buyer Signature _____ Date _____

Seller Signature _____ Date _____



Performance Data Sheet

Culligan HE 1.25 14" Water Softener with Soft-Minder® Meter

Culligan knows the more informed you are about your water treatment systems, the more confident you will be about its performance. It's because of this and more than seventy years of commitment to customer satisfaction that Culligan is providing this Performance Data Sheet to its customers.

NOTICE Read this Performance Data Sheet and compare the capabilities of this unit with your actual water treatment needs. It is recommended that before purchasing a water treatment unit, you have your water supply tested to determine your actual water treatment needs.

Manufacturer: Culligan International Company
 9399 W. Higgins Rd., Suite 1100, Rosemont, IL 60018 USA
 (847) 430-2800
www.culligan.com

Product: Culligan High Efficiency 1.25 14" Water Softener with Soft-Minder® Meter

Testing Conditions & Results:

Flow Rate:	19.3 gpm @ 15 psi	Capacity:	56,218 grains @ 12.0 lb. salt
Pressure:	30–40 psi (2.1–2.8 kg/cm ²)		83,174 grains @ 24.0 lb. salt
Acidity:	Non-Corrosive		91,662 grains @ 36.0 lb. salt
Temperature:	68°F (20°C)	pH:	7.6
Efficiency Rated Dosage†:	4,685 gr/lb		

Softener Specifications:

Service Flow Rate:	19.3 gpm	Pressure Drop at Max. Flow Rate:	15 psi (71 kPa)
Operating Temp. Range:	33–120°F (0–49°C)	Max. Drain Flow Rate:	4.5 gpm
Working Press. Range:	20–125 psi (1.4–8.5 kg/cm ²)	Oper. Press. Range (Canada):	20–90 psi (1.4–6.3 kg/cm ²)

Name of Substance	USEPA Max. Contaminant Level	pH	Flow Rate	Pressure
Barium	2.0 mg/L	7.5 + 0.5	19.3 gpm	15 (psig)
Radium 226/228	5 pCi/L	7.5 + 0.5	19.3 gpm	15 (psig)

This system is certified for barium and radium 226/228 reduction based on hardness reduction. It is recommended you test your water every six months to ensure the system is performing properly and that hardness, and therefore barium and radium 226/228, are being reduced. Hardness test strips have been included. Additional strips are available from your local Culligan dealer.

The Culligan High Efficiency 1.25 Series 14" Water Softeners with Soft-Minder® Meter are tested and certified by WQA against NSF/ANSI Standard 372, CSA B483.1, and NSF/ANSI Standard 44 for the effective reduction of hardness (calcium and magnesium), barium, and radium 226/228 as verified and substantiated by test data. To maintain product certification and ensure uniform performance, the product is retested on a consistent basis.

The Culligan High Efficiency 1.25 Series 14" Water Softeners are registered under California Water Treatment Device Registration Number 3059. The Culligan High Efficiency 1.25 Series 14" Water Softeners with Soft-Minder® Meter are registered under Iowa Water Treatment Device Registration Number 20664.

An efficiency rated water softener is a DIR softener which also complies with specific performance specifications intended to minimize the amount of regenerant brine and water used in its operation. Efficiency rated water softeners shall have a rated salt efficiency of not less than 3350 grains of total hardness exchange per pound of salt (based on NaCl equivalency) (477 grams of total hardness exchange per kilogram of salt), and shall not deliver more salt than its listed rating. The efficiency is measured by a laboratory test described in NSF/ANSI 44. The test represents the maximum possible efficiency the system can achieve. Operational efficiency is the actual efficiency achieved after the system has been installed. It is typically less than the efficiency due to individual application factors including water hardness, water usage, and other contaminants that reduce the softener's capacity.

Refer to the Specifications, Familiarization and Warranty section of this Owner's Guide (P/N 01024584) for more specific product information. To avoid contamination from improper handling and installation, your system should only be installed and serviced by your Culligan dealer. Performance will vary based on local water conditions. The substances reduced by this system are not necessarily in your water.

Culligan water softeners are designed to work with any salt of good quality, although it is recommended that you ask your local Culligan dealer for his suggestion on the best type and grade of salt to use in this softener.

NOTICE This softener is not intended to be used for treating water that is microbiologically unsafe or of unknown quality without adequate disinfection before or after the system.

†The efficiency rated dosage is only valid at the 12 lb. salt dosage and maximum service flow rate for 14" models.

Buyer Signature _____ Date _____
 Seller Signature _____ Date _____





Performance Data Sheet

Culligan HE 1.25 14" Water Softener with Aqua-Sensor® Sensing Device

Culligan knows the more informed you are about your water treatment systems, the more confident you will be about its performance. It's because of this and more than seventy years of commitment to customer satisfaction that Culligan is providing this Performance Data Sheet to its customers.

NOTICE Read this Performance Data Sheet and compare the capabilities of this unit with your actual water treatment needs. It is recommended that before purchasing a water treatment unit, you have your water supply tested to determine your actual water treatment needs.

Manufacturer: Culligan International Company
 9399 W. Higgins Rd., Suite 1100, Rosemont, IL 60018 USA
 (847) 430-2800
www.culligan.com

Product: Culligan High Efficiency 1.25 14" Water Softener with Aqua-Sensor® Sensing Device

Testing Conditions & Results:

Flow Rate:	19.3 gpm @ 15 psi	Capacity:	56,218 grains @ 12.0 lb. salt
Pressure:	30–40 psi (2.1–2.8 kg/cm ²)		83,174 grains @ 24.0 lb. salt
Acidity:	Non-Corrosive		91,662 grains @ 36.0 lb. salt
Temperature:	68°F (20°C)	pH:	7.6
Efficiency Rated Dosage†:	4,685 gr/lb		

Softener Specifications:

Service Flow Rate:	19.3 gpm	Pressure Drop at Max. Flow Rate:	10 psi (71 kPa)
Operating Temp. Range:	33–120°F (0–49°C)	Max. Drain Flow Rate:	4.5 gpm
Working Press. Range:	20–125 psi (1.4–8.5 kg/cm ²)	Oper. Press. Range (Canada):	20–90 psi (1.4–6.3 kg/cm ²)

Name of Substance	USEPA Max. Contaminant Level	pH	Flow Rate	Pressure
Barium	2.0 mg/L	7.5 + 0.5	19.3 gpm	15 (psig)
Radium 226/228	5 pCi/L	7.5 + 0.5	19.3 gpm	15 (psig)

This system is certified for barium and radium 226/228 reduction based on hardness reduction. It is recommended you test your water every six months to ensure the system is performing properly and that hardness, and therefore barium and radium 226/228, are being reduced. Hardness test strips have been included. Additional strips are available from your local Culligan dealer.

The Culligan High Efficiency 1.25 Series 14" Water Softeners with Aqua-Sensor® Sensing Device are tested and certified by WQA against NSF/ANSI Standard 372, CSA B483.1, and NSF/ANSI Standard 44 for the effective reduction of hardness (calcium and magnesium), barium, and radium 226/228 as verified and substantiated by test data. To maintain product certification and ensure uniform performance, the product is retested on a consistent basis.



The Culligan High Efficiency 1.25 Series 14" Water Softeners with Aqua-Sensor® Sensing Device are registered under Iowa Water Treatment Device Registration Number 20664.

An efficiency rated water softener is a DIR softener which also complies with specific performance specifications intended to minimize the amount of regenerant brine and water used in its operation. Efficiency rated water softeners shall have a rated salt efficiency of not less than 3350 grains of total hardness exchange per pound of salt (based on NaCl equivalency) (477 grams of total hardness exchange per kilogram of salt), and shall not deliver more salt than its listed rating. The efficiency is measured by a laboratory test described in NSF/ANSI 44. The test represents the maximum possible efficiency the system can achieve. Operational efficiency is the actual efficiency achieved after the system has been installed. It is typically less than the efficiency due to individual application factors including water hardness, water usage, and other contaminants that reduce the softener's capacity.

Refer to the Specifications, Familiarization and Warranty section of this Owner's Guide (P/N 01024584) for more specific product information. To avoid contamination from improper handling and installation, your system should only be installed and serviced by your Culligan dealer. Performance will vary based on local water conditions. The substances reduced by this system are not necessarily in your water.

Culligan water softeners are designed to work with any salt of good quality, although it is recommended that you ask your local Culligan dealer for his suggestion on the best type and grade of salt to use in this softener.

NOTICE This softener is not intended to be used for treating water that is microbiologically unsafe or of unknown quality without adequate disinfection before or after the system.

†The efficiency rated dosage is only valid at the 12 lb. salt dosage and maximum service flow rate for 14" models.

Buyer Signature _____ Date _____

Seller Signature _____ Date _____



Performance Data Sheet

Culligan HE 1.25 16" Water Softener with Soft-Minder® Meter

Culligan knows the more informed you are about your water treatment systems, the more confident you will be about its performance. It's because of this and more than seventy years of commitment to customer satisfaction that Culligan is providing this Performance Data Sheet to its customers.

NOTICE Read this Performance Data Sheet and compare the capabilities of this unit with your actual water treatment needs. It is recommended that before purchasing a water treatment unit, you have your water supply tested to determine your actual water treatment needs.

Manufacturer: Culligan International Company
 9399 W. Higgins Rd., Suite 1100, Rosemont, IL 60018 USA
 (847) 430-2800
www.culligan.com

Product: Culligan High Efficiency 1.25 16" Water Softener with Soft-Minder® Meter

Testing Conditions & Results:

Flow Rate:	21.0 gpm @ 15 psi	Capacity:	70,494 grains @ 16.0 lb. salt
Pressure:	30–40 psi (2.1–2.8 kg/cm ²)		108,382 grains @ 32.0 lb. salt
Acidity:	Non-Corrosive		128,106 grains @ 48.0 lb. salt
Temperature:	68°F (20°C)	pH:	7.6
Efficiency Rated Dosage†:	4,406 gr @ 16.0 lb		

Softener Specifications:

Service Flow Rate:	21.0 gpm	Pressure Drop at Max. Flow Rate:	15 psi
Operating Temp. Range:	33–120°F (0–49°C)	Max. Drain Flow Rate:	6.0 gpm
Working Press. Range:	20–125 psi (1.4–8.5 kg/cm ²)	Oper. Press. Range (Canada):	20–90 psi (1.4–6.3 kg/cm ²)

Name of Substance	USEPA Max. Contaminant Level	pH	Flow Rate	Pressure
Barium	2.0 mg/L	7.5 + 0.5	21.0 gpm	15 (psig)
Radium 226/228	5 pCi/L	7.5 + 0.5	21.0 gpm	15 (psig)

This system is certified for barium and radium 226/228 reduction based on hardness reduction. It is recommended you test your water every six months to ensure the system is performing properly and that hardness, and therefore barium and radium 226/228, are being reduced. Hardness test strips have been included. Additional strips are available from your local Culligan dealer.

The Culligan High Efficiency 1.25 Series 16" Water Softeners with Soft-Minder® Meter are tested and certified by WQA against NSF/ANSI Standard 372, CSA B483.1, and NSF/ANSI Standard 44 for the effective reduction of hardness (calcium and magnesium), barium, and radium 226/228 as verified and substantiated by test data. To maintain product certification and ensure uniform performance, the product is retested on a consistent basis.



The Culligan High Efficiency 1.25 Series 16" Water Softeners are registered under California Water Treatment Device Registration Number 3060. The Culligan High Efficiency 1.25 Series 16" Water Softeners with Soft-Minder® Meter are registered under Iowa Water Treatment Device Registration Number 20665.

An efficiency rated water softener is a DIR softener which also complies with specific performance specifications intended to minimize the amount of regenerant brine and water used in its operation. Efficiency rated water softeners shall have a rated salt efficiency of not less than 3350 grains of total hardness exchange per pound of salt (based on NaCl equivalency) (477 grams of total hardness exchange per kilogram of salt), and shall not deliver more salt than its listed rating. The efficiency is measured by a laboratory test described in NSF/ANSI 44. The test represents the maximum possible efficiency the system can achieve. Operational efficiency is the actual efficiency achieved after the system has been installed. It is typically less than the efficiency due to individual application factors including water hardness, water usage, and other contaminants that reduce the softener's capacity.

Refer to the Specifications, Familiarization and Warranty section of this Owner's Guide (P/N 01024584) for more specific product information. To avoid contamination from improper handling and installation, your system should only be installed and serviced by your Culligan dealer. Performance will vary based on local water conditions. The substances reduced by this system are not necessarily in your water.

Culligan water softeners are designed to work with any salt of good quality, although it is recommended that you ask your local Culligan dealer for his suggestion on the best type and grade of salt to use in this softener.

NOTICE This softener is not intended to be used for treating water that is microbiologically unsafe or of unknown quality without adequate disinfection before or after the system.

†The efficiency rated dosage is only valid at the 16 lb. salt dosage and maximum service flow rate for 16" models.

Buyer Signature _____ Date _____

Seller Signature _____ Date _____



Performance Data Sheet

Culligan HE 1.25 16" Water Softener with Aqua-Sensor® Sensing Device

Culligan knows the more informed you are about your water treatment systems, the more confident you will be about its performance. It's because of this and more than seventy years of commitment to customer satisfaction that Culligan is providing this Performance Data Sheet to its customers.

NOTICE Read this Performance Data Sheet and compare the capabilities of this unit with your actual water treatment needs. It is recommended that before purchasing a water treatment unit, you have your water supply tested to determine your actual water treatment needs.

Manufacturer: Culligan International Company
 9399 W. Higgins Rd., Suite 1100, Rosemont, IL 60018 USA
 (847) 430-2800
www.culligan.com

Product: Culligan High Efficiency 1.25 16" Water Softener with Soft-Minder® Meter

Testing Conditions & Results:

Flow Rate:	21.0 gpm @ 15 psi	Capacity:	70,494 grains @ 16.0 lb. salt
Pressure:	30–40 psi (2.1–2.8 kg/cm ²)		108,382 grains @ 32.0 lb. salt
Acidity:	Non-Corrosive		128,106 grains @ 48.0 lb. salt
Temperature:	68°F (20°C)	pH:	7.6
Efficiency Rated Dosage†:	4,406 gr @ 16.0 lb		

Softener Specifications:

Service Flow Rate:	21.0 gpm	Pressure Drop at Max. Flow Rate:	15 psi
Operating Temp. Range:	33–120°F (0–49°C)	Max. Drain Flow Rate:	6.0 gpm
Working Press. Range:	20–125 psi (1.4–8.5 kg/cm ²)	Oper. Press. Range (Canada):	20–90 psi (1.4–6.3 kg/cm ²)

Name of Substance	USEPA Max. Contaminant Level	pH	Flow Rate	Pressure
Barium	2.0 mg/L	7.5 + 0.5	21.0 gpm	15 (psig)
Radium 226/228	5 pCi/L	7.5 + 0.5	21.0 gpm	15 (psig)

This system is certified for barium and radium 226/228 reduction based on hardness reduction. It is recommended you test your water every six months to ensure the system is performing properly and that hardness, and therefore barium and radium 226/228, are being reduced. Hardness test strips have been included. Additional strips are available from your local Culligan dealer.

The Culligan High Efficiency 1.25 Series 16" Water Softeners with Aqua-Sensor® Sensing Device are tested and certified by WQA against NSF/ANSI Standard 372, CSA B483.1, and NSF/ANSI Standard 44 for the effective reduction of hardness (calcium and magnesium), barium, and radium 226/228 as verified and substantiated by test data. To maintain product certification and ensure uniform performance, the product is retested on a consistent basis.



The Culligan High Efficiency 1.25 Series 16" Water Softeners with Aqua-Sensor® Sensing Device are registered under Iowa Water Treatment Device Registration Number 20665.

An efficiency rated water softener is a DIR softener which also complies with specific performance specifications intended to minimize the amount of regenerant brine and water used in its operation. Efficiency rated water softeners shall have a rated salt efficiency of not less than 3350 grains of total hardness exchange per pound of salt (based on NaCl equivalency) (477 grams of total hardness exchange per kilogram of salt), and shall not deliver more salt than its listed rating. The efficiency is measured by a laboratory test described in NSF/ANSI 44. The test represents the maximum possible efficiency the system can achieve. Operational efficiency is the actual efficiency achieved after the system has been installed. It is typically less than the efficiency due to individual application factors including water hardness, water usage, and other contaminants that reduce the softener's capacity.

Refer to the Specifications, Familiarization and Warranty section of this Owner's Guide (P/N 01024584) for more specific product information. To avoid contamination from improper handling and installation, your system should only be installed and serviced by your Culligan dealer. Performance will vary based on local water conditions. The substances reduced by this system are not necessarily in your water.

Culligan water softeners are designed to work with any salt of good quality, although it is recommended that you ask your local Culligan dealer for his suggestion on the best type and grade of salt to use in this softener.

NOTICE This softener is not intended to be used for treating water that is microbiologically unsafe or of unknown quality without adequate disinfection before or after the system.

†The efficiency rated dosage is only valid at the 16 lb. salt dosage and maximum service flow rate for 16" models.

Buyer Signature _____ Date _____

Seller Signature _____ Date _____



Important Data on Your Water Softener

It is advisable to have the salesperson or installer fill in the information below for your future reference. If this has not been done, please ask for it, as it is necessary if you contact your dealer.

Identification

Model Name _____ Catalog No. _____

Control Model No. _____ Control Serial No. _____

Date of Installation _____ Tank Serial No. _____

Settings

Time of Recharge: _____ a.m. / p.m.

Regeneration Interval _____ days

Number of people in household _____

Tank Size _____ inches

Water Analysis

Total Hardness _____ (gpg)

Total Iron _____ (ppm)

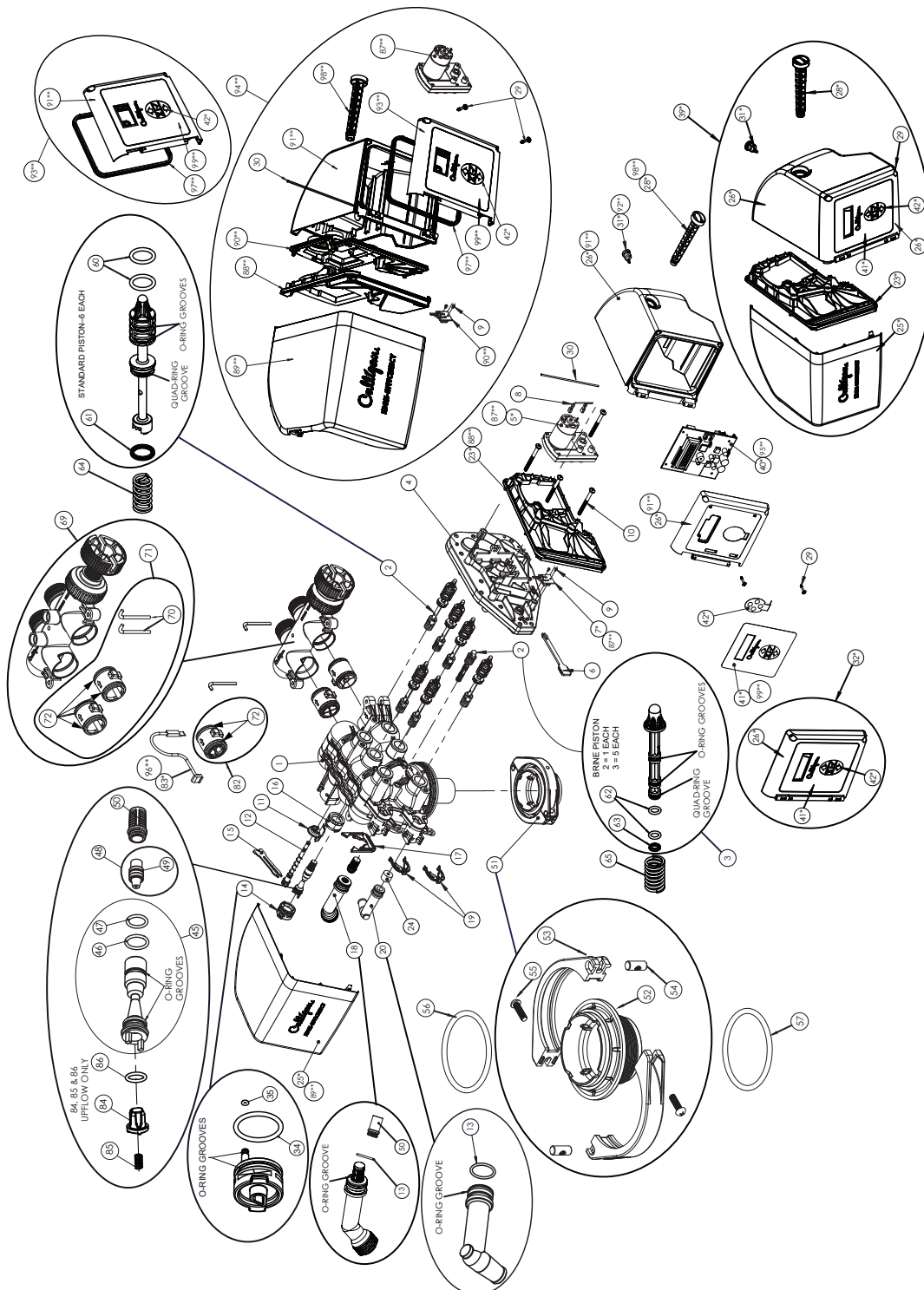
pH _____ (acidity)

Other _____



Parts List

High Efficiency 1.25 Control Valve Assembly





Item	Part No.	Description
	01031600	HE 1.25 Control Valve, Downflow, Complete
1	01031629	Valve Body
2	01031428	Piston Rebuild Kit, includes 4ea Large Piston Assemblies, 2ea Standard Piston Assemblies, and 1ea Brine Piston Assembly
3	P1025242	Brine Piston w/80 Duro Quad Seal, HE 1.25" - 1.5", 5ea
4	01031620	Gear Box Assembly
5	01024332	Gearmotor
6	P1020415	Retainer, Gearmotor, 10ea
7	—	Wire Harness w/Position Sensor (not available for sale), Kit
8	01022735	Wire Harness, Motor
9	P1020433	Position Sensor Screw, 10ea/Kit
10	P1020517	Gear Box Assembly Screw, 10ea
11	P1020289	Dial-a-Softness Knob, 10ea
12	P1022185	Dial-a-Softness Assembly w/ O-Rings, 10ea
13	P0440268	O-Ring, Brine & Drain Elbow, 10ea/Kit
14	P1020487	Eductor Plug Assembly w/ O-Rings, 10ea
15	P1020290	Eductor Plug Retainer, 10ea
16	P1023051	Dial-a-Softness Locking Plug, 10ea
17	P1020291	Dial-a-Softness Locking Plug Retainer, 10ea
18	P1034563	Brine Elbow Assembly, 10ea
19	P1030127	Retainer, Brine & Drain Elbow, 10ea
20	P1023021	Drain Elbow Assembly, 10ea
23	01030232	Enclosure Frame
24	P0331635	Backwash Flow Control, #2 Brown, 10ea
	P0331636	Backwash Flow Control, #3 Green, 10ea
	P0401031	Backwash Flow Control, Black, 10ea
25	01024918	Control Valve Cover
26	—	Compartment Plate w/ Gaskets (not available for sale), Kit
27	—	Enclosure w/ Decal and Keyboard (not available for sale), Kit
28	P0318383	Enclosure Screw, 10ea/Kit
29	P1023122	Retainer for Enclosure Screw, 10ea/Kit
31	P1025274	Strain Relief Fitting, 10ea
32	P1025277	Plug, 10ea/Kit
34	P1021162	O-ring, Eductor Plug Assembly, Large, 10ea/Kit

Item	Part No.	Description
35	P1020424	O-ring, Eductor Plug Assembly, Small, 10ea/Kit
39	01030307	Electronics Enclosure Kit less Circuit Board
40	01020745	Replacement Circuit Board
45	P1022796	Eductor Throat with O-rings, Down-flow, Tan, 10ea
	P1022723	Eductor Throat with O-rings, Down-flow, Blue, 10ea
46	P1020603	Eductor Throat O-ring, Large, 10ea/Kit
47	P1020428	Eductor Throat O-ring, Small, 10ea/Kit
48	P1013895	Eductor Nozzle w/ O-ring, Beige, 10ea
	P1024333	Eductor Nozzle w/ O-ring, Green, 10ea
49	P0308438	O-ring, Eductor Nozzle, 10ea/Kit
50	P1029422	Screen, 10ea
56	P1024364	Large Piston, O-ring, 25ea/Kit
57	P1025239	Large Piston Quad Ring, 25ea/Kit
60	P1020431	Small Piston, O-ring, 25ea/Kit
61	P1025199	Small Piston Quad Ring, 25ea/Kit
62	P1020426	Brine Piston O-ring 25ea/Kit
63	—	Brine Piston Quad Ring (not available for sale), Kit
64	P1020252	Large & Small Main Piston Spring, 10ea
65	P1020286	Brine Piston Spring 10ea
70	P1009075	Retaining Clip, 10ea/Kit
71	01014033	Coupling Kit
72	P1009099	O-ring, Couplings/Meters, 50ea/Kit
73	01025175	Bypass Valve
74	01024348	1 1/4" Straight-Through Connector
82	01026849	Meter Kit Assembly, HE 1", LF
83	01025282	Wire Harness, Meter, 28" length
84	P0440052	O-ring, Valve to Tank, 25ea
86	P1023200	Screw, Compartment Plate, 10ea/Kit
*	P0451701	Hose Clamp, Drain, 25ea
*	01031826	DC Power Supply, 20 ft
*	01031921	DC Power Supply, 40 ft
*	01025281	Bypass Piston Kit for HE 1.25/1.5
*	01020748	Auxiliary Board (optional)
*	01022238	Alarm Relay Board (optional)

*Not Displayed in Diagram



Parts List

Remote Display and Accessories

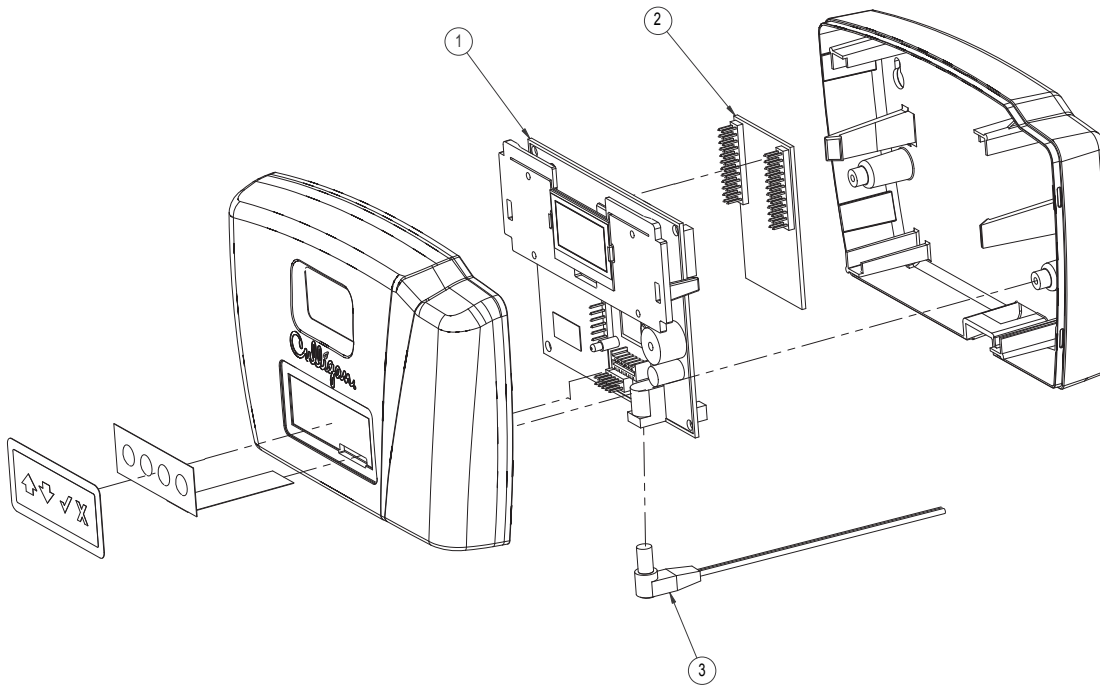


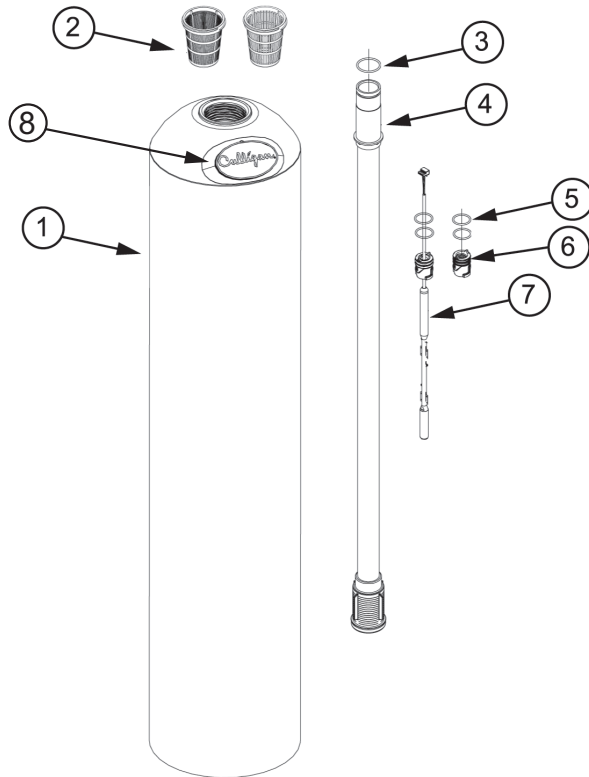
Figure 3. Remote display

Item	Part No.	Description
	01020553	Remote Display Assembly, Softener/Filter - 915 MHz, North American English Version
	D1025235	Remote Display Assembly, Softener/Filter - 869 MHz, European English Version
	D1020608	Remote Display Assembly, Softener/Filter - 869 MHz, European French Version
	D1025110	Remote Display Assembly, Softener/Filter - 869 MHz, European Italian Version
	D1025111	Remote Display Assembly, Softener/Filter - 869 MHz, European Spanish Version
1	01020749	Circuit Board, Remote Soft/Filt, English Replacement
1	01024866	Circuit Board, Remote Soft/Filt, French Replacement
1	01025114	Circuit Board, Remote Soft/Filt, Spanish Replacement
2	01020751	Circuit Board, RF, GBE, 869 MHz, European Version
3	01029455	Transformer, North American Version
Accessories		
	01031244	WiFi Accessory Board
	01020747	Modem Circuit Board
	01022238	Alarm Relay Board
	01027289	SBT Sensor w/Chamber, HE Outdoor
	01031717	Aqua-Sensor, Hanging HE 1.25



Parts List

Tank Assembly

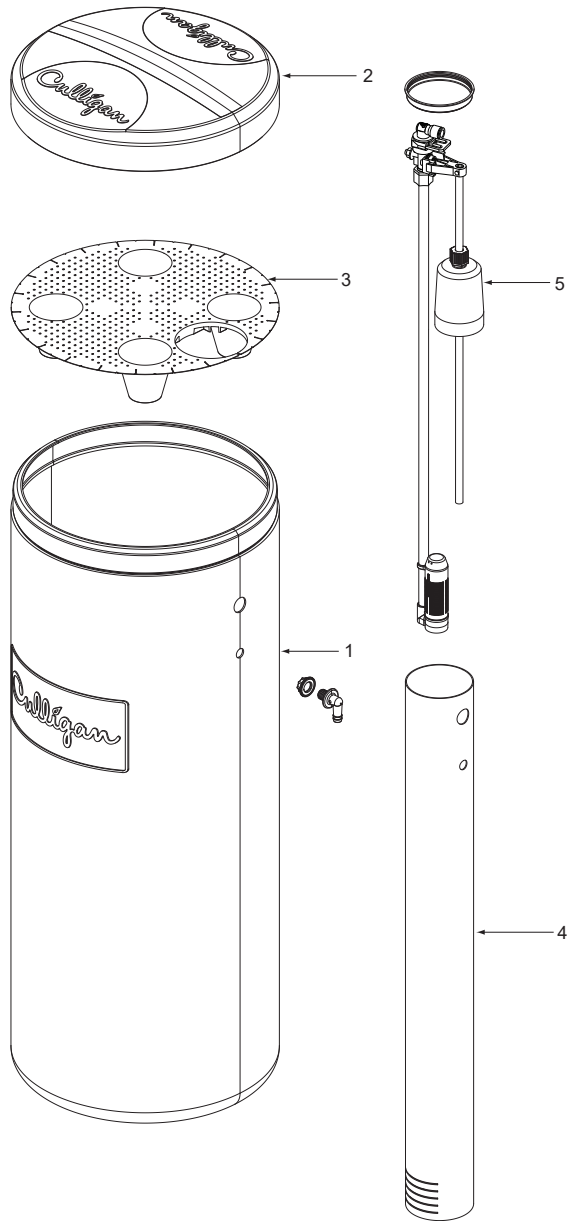


Item	Part No.	Description	Qty
1	01016618	Tank Assembly, 10" w/ Fillport, Complete	
	01017192	Tank Assembly, 12" w/ Fillport, Complete, Less Media	
	01017194	Tank Assembly, 14" w/ Fillport, Complete, Less Media	
	01017196	Tank Assembly, 16" w/ Fillport, Complete, Less Media	
	01016352	Tank Assembly, 10" w/o Fillport, Complete	
	01016350	Tank Replacement, 10", w/ Fillport, Empty	
2	P1009847	Top Strainer - Fine Slot	10ea/pk
	P1011195	Top Strainer - Wide Slot	10ea/pk
3	P1009099	O-Ring, Manifold	50ea/pk
4	01014539	Outlet Manifold - 10"	1
	01018846	Outlet Manifold - 12"	1
	01016429	Outlet Manifold - 14" and 16"	1
5	P1017434	O-Ring, Plug and Sensor	2
6	01015122	Plug	1
7	01031717	Aqua-Sensor, Hanging HE 1.25	1
8	01016174	Culligan Emblem	1



Parts List

16" and 18" Brine System

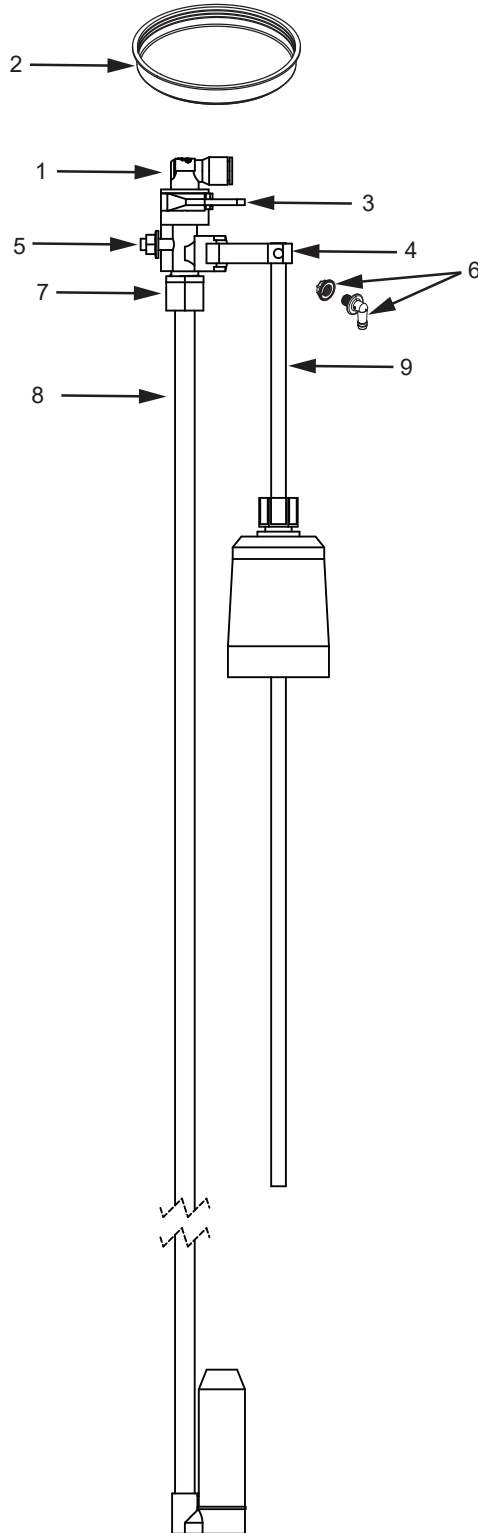


Item	Part No.	Description
—	01018705	Brine System, 250 lb
—	01018715	Brine System, 375 lb
1	01018709	Replacement Tank, 250 lb
	01018716	Replacement Tank, 375 lb
2	—	Cover, 250 lb (not available for sale)
	01018717	Cover, 375 lb
3	01018707	Salt Plate, 250 lb
	01018713	Salt Plate, 375 lb
4	01018708	Brine Chamber, 250 lb & 375 lb
5	01035282	Brine Valve



Parts List

Brine Valve Assembly

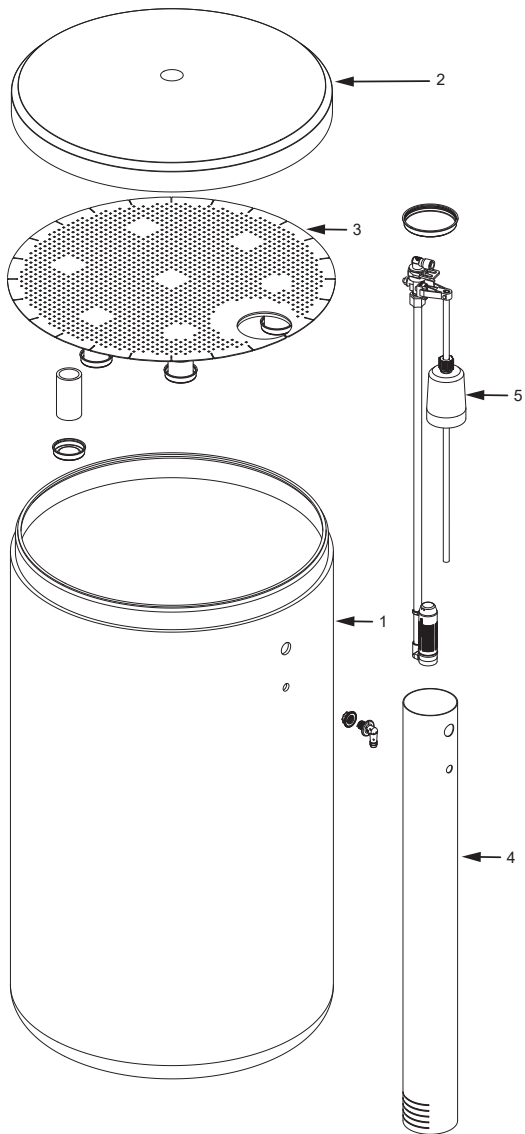


Item	Part No.	Description
—	01035282	Brine Valve
1	01035204	BLFC Elbow - 0.45 gpm
	01018711	BLFC Elbow - 0.8 gpm
2	P1020194	Brine Well Cap - 24 Pack
3	P1012091	Retaining Clip - 24 Pack
4	P1020192	Pin - 24 Pack
5	P1020193	5/16" Nut - 24 Pack
6	P1020190	Overflow Fitting w/ Nut - 24 Pack
7	P1020195	3/8" Nut - 24 Pack
8	P1020198	Air check Assembly - 24 Pack
9	P1020197	Float - 24 Pack



Parts List

24" Brine System



Item	Part No.	Description
—	01018720	Brine System, 650 lb
1	01018718	Replacement Tank, 650 lb
2	01018719	Cover, 650 lb
3	01018909	Salt Plate, 650 lb
4	01018708	Brine Chamber
5	01035282	Brine Valve



Culligan Limited Warranty

Culligan High Efficiency Automatic Water Conditioners

You have just purchased one of the finest water conditioners made. As an expression of our confidence in Culligan International Company products, your water conditioner is warranted to the original end-user, when installed in accordance with Culligan specifications, against defects in material and workmanship from the date of original installation, as follows:

For a period of ONE YEAR	The entire conditioner
For a period of FIVE YEARS	Remote display, modem, Soft-Minder® meter, Smart Brine probe, or Aqua-Sensor® probe, if so equipped.
For a period of TEN YEARS	High Efficiency circuit board, control valve body, excluding internal parts. The salt storage container, brine valve and all its component parts
For the LIFETIME of the original consumer purchaser	The Quadra-Hull™ conditioner tank and the Cullex® resin

If a part described above is found defective within the specified period, you should notify your independently operated Culligan dealer and arrange a time during normal business hours for the dealer to inspect the water conditioner on your premises. Any part found defective within the terms of this warranty will be repaired or replaced by the dealer. You pay only freight from our factory and local dealer charges.

We are not responsible for damage caused by accident, fire, flood, freezing, Act of God, misuse, misapplication, neglect, oxidizing agents (such as chlorine, ozone, chloramines and other related components), alteration, installation or operation contrary to our written instructions, or by the use of accessories or components which do not meet Culligan specifications, is not covered by this warranty. Refer to the specifications section in the Installation and Operating manual for application parameters.

Our product performance specifications are furnished with each water conditioning unit. TO THE EXTENT PERMITTED BY LAW, CULLIGAN DISCLAIMS ALL IMPLIED WARRANTIES, INCLUDING WITHOUT LIMITATION WARRANTIES OF MERCHANTABILITY AND FITNESS FOR PARTICULAR PURPOSE; TO THE EXTENT REQUIRED BY LAW, ANY SUCH IMPLIED WARRANTIES ARE LIMITED IN DURATION TO THE ONE-YEAR PERIOD SPECIFIED ABOVE FOR THE ENTIRE CONDITIONER. As a manufacturer, we do not know the characteristics of your water supply or the purpose for which you are purchasing a water conditioner. The quality of water supplies may vary seasonally or over a period of time, and your water usage rate may vary as well. Water characteristics can also differ considerably if your water conditioner is moved to a new location. For these reasons, we assume no liability for the determination of the proper equipment necessary to meet your requirements, and we do not authorize others to assume such obligations for us. Further, we assume no liability and extend no warranties, express or implied, for the use of this product with a non-potable water source. OUR OBLIGATIONS UNDER THIS WARRANTY ARE LIMITED TO THE REPAIR OR REPLACEMENT OF THE FAILED PARTS OF THE WATER CONDITIONER, AND WE ASSUME NO LIABILITY WHATSOEVER FOR DIRECT, INDIRECT, INCIDENTAL, CONSEQUENTIAL, SPECIAL, GENERAL, OR OTHER DAMAGES.

Some states do not allow the exclusion of implied warranties or limitations on how long an implied warranty lasts, so the above limitation may not apply to you. Similarly, some states do not allow the exclusion of incidental or consequential damages, so the above limitation or exclusion may not apply to you. This warranty gives you specific legal rights, and you may also have other rights which vary from state to state. Consult your telephone directory for your local independently operated Culligan dealer, or write Culligan International Company for warranty and service information.

Culligan International Company

9399 W. Higgins Road, Suite 1100
Rosemont, Illinois 60018

www.culligan.com



Notes