

# Culligan®

**Culligan  
Medallist  
Series®  
Automatic  
Water  
Softener  
Owners  
Guide**





This page intentionally left blank.



## Content

Performance Data Sheets are included in this manual for various Culligan Medallist Series® Softener models. Refer to the Performance Data Sheet for your specific softener, as there are slight differences between the models. The softener warranty is located on [page 39](#) of this Owner's Guide.

About This Manual.....	4
Thank You.....	5
Specifications .....	6
Introduction.....	7
How Your Water Softener Works .....	8
Component Description .....	9
Location and Placement.....	10
The Culligan Process .....	11
Modes of Operation .....	12
Salt Supply, Usage and Service .....	13
Care and Cleaning of Your Water Softener .....	14
Sanitizing Procedure .....	15
Cleaning Out the Salt Storage Tank .....	16
Programming .....	17
Service Check .....	19
Regeneration.....	21
When and How to Bypass Your Water Softener.....	22
Things to Check Before You Call for Service.....	23
Parts List 1" Softener Valve .....	24
Parts List 3/4" Softener Valve .....	25
Parts List 3/4" Softener Valve .....	26
Parts List 1" Softener Valve .....	26
Parts List.....	27
Power Valve Service Parts List.....	28
Parts List 16" and 18" Brine Systems.....	31
Parts List 11" Brine System .....	32
Parts List Brine Valve .....	33
Performance Data Sheet Culligan Medallist Series® 8" .....	34
Performance Data Sheet Culligan Medallist Series® 8" with Soft-Minder® Meter .....	35
Performance Data Sheet Culligan Medallist Plus Series® 45 with Soft-Minder® Meter .....	37
Performance Data Sheet Culligan Medallist Plus Series® 60 with Soft-Minder® Meter .....	38
Culligan Limited Warranty .....	39
Records and Data.....	40



## About This Manual

### Read this Manual First

Before you operate the Medallist Series Water Softening System, read this manual to become familiar with the device and its capabilities.

### Watch for Special Paragraphs

Please read the special paragraphs in this manual. Examples are shown below.

### Safe Practices

Throughout this manual there are paragraphs set off by special headings.

<b>NOTE:</b>	<b>Check and comply with your state and local codes. You must follow these guidelines.</b>
<b>NOTE:</b>	<b>For installations in Massachusetts, Massachusetts Plumbing Code 248 CMR shall be adhered to. Consult your licensed plumber for installation of this system. This system and its installation must comply with state and local regulations. The use of saddle valves are not permitted.</b>

### Note

Note is used to emphasize installation, operation or maintenance information which is important, but does not present any hazard. Example:

<b>NOTE:</b>	<b>The clamp and valve will be able to rotate on the tank until pressure is applied.</b>
--------------	--


### Caution

Caution is used when failure to follow directions could result in damage to equipment or property. Example:

	<b>CAUTION! Disassembly while under water pressure can result in flooding.</b>
---	--

### Warning

Warning is used to indicate a hazard which could cause injury or death if ignored. Example:

	<b>WARNING! Electrical shock hazard! Unplug the unit before removing the cover or accessing any internal control parts.</b>
---	---

### Serial Numbers

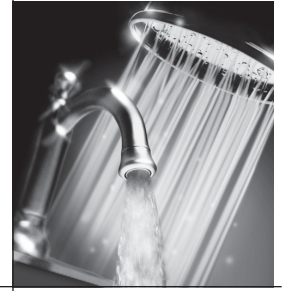
The control valve serial number is located on the back of the timer case.

The media tank serial number is located on the top surface of the tank.

<b>NOTE:</b>	<b>Do not remove or destroy the serial number. It must be referenced on request for warranty repair or replacement.</b>
--------------	---

This publication is based on information available when approved for printing. Continuing design refinement could cause changes that may not be included in this publication.

Products manufactured and marked by Culligan International Company (Culligan) and its affiliates are protected by patents issued or pending in the United States and other countries. Culligan reserves the right to change the specifications referred to in this literature at any time, without prior notice. Culligan, Aqua-Sensor, Tripl-Hull, Flo-Pak and Soft-Minder are trademarks of Culligan International Company or its affiliates.



Thank You

## Welcome To Your New World Of Better Living With Culligan Water.

The Culligan Medallist Series® 8" Soft-Minder Softener and 8" Timeclock Softener are tested and certified by WQA against NSF/ANSI 372, CSA B483.1, and NSF/ANSI Standard 44 for the effective reduction of hardness (calcium and magnesium) and barium/radium as verified and substantiated by test data.

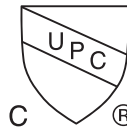


C US

The Culligan Medallist Plus Series® 30, 45 and 60 Soft-Minder Water Softeners are tested and certified by WQA against NSF/ANSI 372, CSA B483.1, and NSF/ANSI Standard 44 for the effective reduction of hardness (calcium and magnesium) and barium/radium as verified and substantiated by test data. The Culligan Medallist Plus Series® 30, 45 and 60 Soft-Minder Water Softeners are tested and certified by WQA against NSF/ANSI 61 for material requirements.

The Culligan Outdoor Medallist Plus Series® 30, 45 and 60 Soft-Minder Water Softeners are tested and certified by WQA against NSF/ANSI 372, CSA B483.1, and NSF/ANSI Standard 44 for the effective reduction of hardness (calcium and magnesium) and barium/ radium as verified and substantiated by test data.

The Culligan Medallist Series® 8" Soft-Minder Softener and 8" Timeclock Softener are certified by IAPMO R&T against NSF/ANSI 372, CSA B483.1, and NSF/ANSI Standard 44 for the effective reduction of hardness (calcium and magnesium) and barium/radium as verified and substantiated by test data.



The Culligan Medallist Plus Series® 30, 45 and 60 Soft-Minder Water Softeners are certified by IAPMO R&T against NSF/ANSI 372, CSA B483.1, and NSF/ANSI Standard 44 for the effective reduction of hardness (calcium and magnesium) and barium/radium as verified and substantiated by test data. The Culligan Medallist Plus Series® 30, 45 and 60 Soft-Minder Water Softeners are certified by IAPMO R&T against NSF/ANSI 61 for material requirements.

The Culligan Outdoor Medallist Plus Series® 30, 45 and 60 Soft-Minder Water Softeners are certified by IAPMO R&T against NSF/ANSI 372, CSA B483.1, and NSF/ANSI Standard 44 for the effective reduction of hardness (calcium and magnesium) and barium/ radium as verified and substantiated by test data.

The Culligan Medallist Series® 8" Soft-Minder Softener and 8" Timeclock Softener and the Culligan Medallist Plus Series® 30, 45 and 60 Soft-Minder Water Softeners are registered with the State of California and the State of Iowa.

For installations in Massachusetts, Massachusetts Plumbing Code 248 CMR shall be adhered to. Consult your licensed plumber for installation of this system. This system and its installation must comply with state and local regulations. The use of saddle valves are not permitted.

Hardness sample kits are available through your local Culligan Dealer.

If this is your first experience having soft, conditioned water in your home, you'll be amazed at the marvelous difference it makes. We promise that you'll never want to be without it again.

Congratulations, too, on selecting one of the "first family" of water softeners in the prestigious Culligan Medallist Series. With Culligan's many years of knowledge and experience in water treatment, you can be confident that the model you selected has been designed and engineered to provide years of service with a minimum of care and attention.

Some localities have corrosive water. A water softener cannot correct this problem and so its printed warranty disclaims liability for corrosion of plumbing lines, fixtures or appliances. If you suspect corrosion, your Culligan Dealer has equipment to control the problem.

**NOTICE Sodium Information: Water softeners using sodium chloride for regeneration add sodium to the water. Persons who are on sodium restricted diets should consider the added sodium as part of their overall sodium intake.**

### Attention Culligan Customer:

The installation, service and maintenance of this equipment should be rendered by a qualified and trained service technician. Your local independently operated Culligan dealer employs trained service and maintenance personnel who are experienced in the installation, function and repair of Culligan equipment. This publication is written specifically for these individuals and is intended for their use.

We encourage Culligan users to learn about Culligan products, but we believe that product knowledge is best obtained by consulting with your Culligan dealer. Untrained individuals who use this manual assume the risk of any resulting property damage or personal injury.



## Specifications

## Culligan Medallist Series® Water Softeners with Soft-Minder® Meter

	Medallist	Medallist Plus		
	8" Model	30 Model	45 Model	60 Model
<b>Control Valve Type</b>	<b>3/4" 5-cycle Reinforced Thermoplastic</b>	<b>1" 5-cycle Reinforced Thermoplastic</b>	<b>1" 5-cycle Reinforced Thermoplastic</b>	<b>1" 5-cycle Reinforced Thermoplastic</b>
Overall Softener Height	51 in., 1,295 mm	49 in., 1,245 mm	63 in., 1,600 mm	61 in., 1549 mm
Media Tank Dimensions (Dia. x Ht.)	8 x 44 in. 203 x 1,118 mm	10 x 40 in. 254 x 1,016 mm	10 x 54 in. 254 x 1,372 mm	12 x 52 in. 305 x 1,321 mm
Salt Storage Tank Dimensions (Dia. x Ht.)	18 x 43 in. 457 x 1,092 mm	18 x 43 in. 457 x 1,092 mm	18 x 43 in. 457 x 1,092 mm	18 x 43 in. 457 x 1,092 mm
Exchange Media, Type & Qty	Cullex® Media, 0.7 ft³	Cullex Media, 1.0 ft³	Cullex Media, 1.5 ft³	Cullex Media, 2.0 ft³
Underbedding, Type & Quantity	Cullsán® Underbedding, 6 lb.	Cullsán Underbedding, 15 lb.	Cullsán Underbedding, 15 lb.	Cullsán Underbedding, 16 lb.
Exchange Capacity @ Salt Dosage Per Recharge¹	13,312 gr @ 3 lb.	17,172 gr @ 4 lb.	26,770 gr @ 6 lb.	35,614 gr @ 8 lb.
	22,947 gr @ 9 lb.	23,664 gr @ 8 lb.	38,830 gr @ 12 lb.	51,659 gr @ 16 lb.
	24,853 gr @ 12 lb.	27,700 gr @ 12 lb.	45,493 gr @ 18 lb.	60,523 gr @ 24 lb.
Efficiency at Rated Salt Dosage⁵	4437 gr./lb. @ 3.0 lb. salt dosage	4293 gr./lb. @ 4.0 lb. salt dosage	4461 gr./lb. @ 6.0 lb. salt dosage	4451 gr./lb. @ 8.0 lb. salt dosage
Freeboard to Media²	20.5 - 21.5 in.	13 in.	15 in.	16 in.
Freeboard to Underbedding³	42.0 - 42.5 in.	35 in.	48 in.	46 in.
Salt Storage Capacity	250 lb. or 375 lb.	250 lb. or 375 lb.	375 lb.	375 lb.
Rated Service Flow @ Press. Drop	5.9 gpm @ 12 psi	9.0 gpm @ 15 psi	9.4 gpm @ 15 psi	10.0 gpm @ 15 psi
Total Hardness, Maximum	75 gpg	75 gpg	99 gpg	99 gpg
Total Iron, Max. (dissolved)	5 ppm	5 ppm	5 ppm	5 ppm
Hardness to Iron Ratio, Minimum	8 gpg to 1 ppm	8 gpg to 1 ppm	8 gpg to 1 ppm	8 gpg to 1 ppm
	140 mg/L to 1 mg/L	140 mg/L to 1 mg/L	140 mg/L to 1 mg/L	140 mg/L to 1 mg/L
Operating Pressure	20 - 125 psi / 140 - 860 kPa	20 - 125 psi / 140 - 860 kPa	20 - 125 psi / 140 - 860 kPa	20 - 125 psi / 140 - 860 kPa
Operating Pressure (Canada)	20 - 90 psi / 140 - 620 kPa	20 - 90 psi / 140 - 620 kPa	20 - 90 psi / 140 - 620 kPa	20 - 90 psi / 140 - 620 kPa
Operating Temperature	33 - 120°F, 1 - 50°C	33 - 120°F, 1 - 50°C	33 - 120°F, 1 - 50°C	33 - 120°F, 1 - 50°C
Electrical Requirements	24V/60 Hz	24V/60 Hz	24V/60 Hz	24V/60 Hz
Electrical Power Consumption, Min./Max.	3 Watts/35 Watts	3 Watts/35 Watts	3 Watts/35 Watts	3 Watts/35 Watts
Drain Flow, Maximum⁴	1.1 gpm	1.7 gpm	1.6 gpm	2.6 gpm
Recharge Time, Average	85 min.	64 min.	64 min.	52 min.
Recharge Water Consumption	23.3 gal.	36 gal.	46 gal.	51 gal.

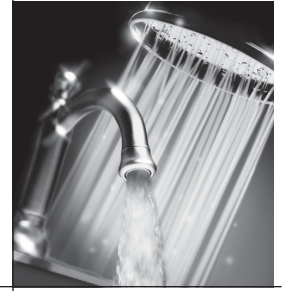
¹ Capacities and corresponding salt dosages pertain to low hardness waters. Capacities given per recharge.

² Measured from top of media to top of inlet fitting (backwashed and drained) for 8" tanks. Measured from top of media to top surface of tank threads for 10" and 12" tanks.

³ Measured from top of underbedding to top of inlet fitting for 8" tanks. Measured from top of media to top surface of tank threads for 10" and 12" tanks.

⁴ Backwash at 120 psi (830 kPa)

⁵ Efficiency rating only valid at stated salt dosage on SoftMinder models and is efficiency rated according to NSF/ANSI Standard 44.



## **It's All So Easy, So Economical, So Efficient, So Enjoyable!**

### **Kind To Skin And Complexion**

Soft water will help prevent red, itchy or dry skin because there are no hardness impurities to cause soreness, no soap curd to coat the skin. Shaving is easier, smoother - either with blade or electric shaver.

### **Bathing And Showering**

You'll use far less soap with conditioned water. Use your soap very sparingly - not as you did before soft water. Just a quick rinse removes all lather, leaving your skin pleasantly smooth and silky - because now it's free of sticky soap curd and film.

### **Saves Washing Costs. Helps Control Environmental Pollution**

Soft water washes whiter and cleaner with less soap or detergent. Because the hardness impurities are removed, your soap can concentrate solely on washing. People usually find that they can reduce the amount of soap they use substantially. If you normally used a cup per wash load with hard water, try using only 1/3 cup depending on the size of your wash load and the degree of soil. Different amounts are required, but you can use less with softened water. An added bonus is the fact that your washable fabrics will last longer.

### **Super Hair Conditioning**

Soft water is great for scalp and hair care. No insoluble deposits are formed. Hair is shinier, softer, more manageable. Reduce the amount of shampoo you have normally used.

### **Dishes Are A Delight**

Washed by hand or in a dishwasher, glassware, dishes and silver wash cleaner, easier. Follow your dishwasher manufacturer's instructions. Soft water promotes sanitation because no greasy hard water film can form to collect or harbor bacteria.

### **Easier Housekeeping, Gleaming Fixtures**

You'll be amazed at the marvelous difference. Just a swish of the cloth, and the bathtub or shower and fixtures are clean and sparkling. Imagine, no scouring! No hard water scum to cause rings, streaks, spots and stains. To keep their gleaming luster, simply wipe fixtures with a towel after use. Formica, tile, walls, floors, woodwork surfaces clean easier, stay clean longer. You'll save on cleaning aids and save on time.

### **Saves Water-Heating Energy, Helps Water-Using Appliances**

Soft water reduces the formation of rock-like hard water scale which encrusts water heaters, hot water pipes, shower heads, and water-using appliances. This scale can cause premature maintenance and failure.

Elimination of hard water also provides substantial energy savings because scale acts as an insulator, wasting electricity or gas used to heat water.

### **Savings Galore**

A water softener is frequently referred to as "the appliance that pays for itself". You'll find that your savings on soaps, detergents, cleaning aids, and personal care products will help your family's household budget. And if you place a price on your time, you'll be most happy with the time saved by your new family servant.

### **Water For Lawns And Household Plants**

If possible, lawn sprinkling faucets should be supplied with hard water primarily because it is not economical to soften so much water.

Household plants are much more sensitive than lawns with respect to the kind of water which is best. First, because they receive no rainfall and, second, there is little or no drainage of the soil. Preferably they should be watered with rainwater or water which is low in mineral content such as distilled or demineralized water. Softened water is not recommended for house plants because a build-up of sodium in the soil may interfere with efficient absorption of water by the plant root system. Additional information may be obtained from your independently operated Culligan dealer.

## **Introduction**



## How Your Water Softener Works

## Why Water Gets Hard And How It's Softened

All of the fresh water in the world originally falls as rain, snow, or sleet. Surface water is drawn upward by the sun, forming clouds. Then, nearly pure and soft as it starts to fall, it begins to collect impurities as it passes through smog and dust-laden atmosphere. And as it seeps through soil and rocks it gathers hardness, rust, acid, unpleasant tastes and odors.

Water hardness is caused primarily by limestone dissolved from the earth by rainwater. Because of this, in earlier times people who wanted soft water collected rainwater from roofs in rain barrels and cisterns before it picked up hardness from the earth.

Some localities have corrosive water. A softener cannot correct this problem and so its printed warranty disclaims liability for corrosion of plumbing lines, fixtures or appliances. If you suspect corrosion, your Culligan Man has equipment to control the problem. Saves Water-Heating Energy, Helps Water-Using Appliances.

Soft water reduces the formation of rock-like hard water scale which encrusts water heaters, hot water pipes, shower heads, and water-using appliances. This scale can cause premature maintenance and failure.

Elimination of hard water also provides substantial energy savings because scale acts as an insulator, wasting electricity or gas used to heat water.

Iron is a common water problem. The chemical/physical nature of iron found in natural water supplies is exhibited in four general types:

1. Dissolved Iron - Also called ferrous or "clear water" iron. This type of iron can be removed from the water by the same ion exchange principle that removes the hardness elements, calcium and magnesium. Dissolved iron is soluble in water and is detected by taking a sample of the water to be treated in a clear glass. The water in the glass is initially clear, but on standing exposed to the air, it may gradually turn cloudy or colored as it oxidizes.
2. Particulate Iron - Also called ferric or colloidal iron. This type of iron is an undissolved particle of iron. A softener will remove larger particles, but they may not be washed out in regeneration effectively and will eventually foul the ion exchange resin. A filtering treatment will be required to remove this type of iron.
3. Organic Bound Iron - This type of iron is strongly attached to an organic compound in the water. The ion exchange process alone cannot break this attachment and the softener will not remove this type of iron.
4. Bacterial Iron - This type of iron is protected inside a bacteria cell. Like the organic bound iron, it is not removed by a water softener.

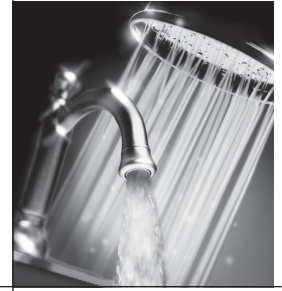
When using a softener to remove both hardness and dissolved iron it is important that it regenerates more frequently than ordinarily would be calculated for hardness removal alone. Although many factors and formulas have been used to determine this frequency, it is recommended that the softener be regenerated when it has reached 50 - 75% of the calculated hardness alone capacity. This will minimize the potential for bed fouling. (Iron removal claims have not been verified by the Water Quality Association or Underwriters Laboratories.)

If you are operating a water softener on clear water iron, regular resin bed cleaning is needed to keep the bed from coating with iron. Even when operating a softener on water with less than the maximum of dissolved iron, regular cleanings should be performed. Clean every six months or more often if iron appears in your conditioned water supply. Use resin bed cleaning compounds carefully following the directions on the container.



**CAUTION!** Do not use where the water is microbiologically unsafe or with water of unknown quality without adequate disinfection before or after the unit.





## Component Description

The water softener is shipped from the factory in a minimum of three cartons. Remove all components from their cartons and inspect them before starting installation.

**Control Valve Assembly** - Includes the 5-cycle regeneration control valve and the Accusoft® Microprocessor. A small parts pack will contain additional installation hardware. An Owner's Guide is included.

**Media Tank** - 8" and 10" media tanks are shipped filled with Cullex® ion exchange resin, underbedding and outlet manifold. For 12" tanks, the Cullex® ion exchange resin and underbedding are loaded at the installation site.

**Salt Storage Tank Assembly** - Includes salt storage container with support plate and Dubl-Safe™ brine refill valve and chamber.

**Bypass Valve** - Includes the Cul-Flo-Valv®, interconnecting couplings, and the screws necessary for assembly (Bypass Valve included with Control for Medallist Plus).

### Application

**Water quality** - Verify that raw water hardness and iron are within limits. Note the hardness for setting the salt dosage and recharge frequency.

**Pressure** - If pressure exceeds 125 psi (860 kPa), install a pressure reducing valve (see materials checklist). On private water systems, make sure the minimum pressure (the pressure at which the pump starts) is greater than 20 psi (140 kPa). Adjust the pressure switch if necessary.



**CAUTION!** Do not use where the water is microbiologically unsafe or with water of unknown quality adequate disinfection before or after the unit.

**CAUTION!** The use of a pressure reducing valve may limit the flow of water in the household.

**Temperature** - Do not install the unit where it might freeze, or next to a water heater or furnace or in direct sunlight. Outdoor installation is not recommended, and voids the warranty. Use the Culligan Outdoor Medallist Series Softener for outdoor installations. The Culligan Outdoor Medallist Series Softener has been certified by Underwriter's Laboratories for outdoor installation. If installing in an outside location, you must take the steps necessary to assure the softener installation plumbing, wiring, etc. areas well protected from the elements (sunlight, rain, wind, heat, cold), contamination, vandalism, etc. as when installed indoors.



## Location and Placement

### Location

**Space requirements** - Allow 6-12 inches (15-30 cm) behind the unit for plumbing and drain lines and 4 feet (1.3 meters) above for service access and filling the salt container.

**Floor surface** - Choose an area with solid, level floor free of bumps or irregularities. Bumps, cracks, stones and other irregularities can cause the salt storage tank bottom to crack when filled with salt and water.

**Drain facilities** - Choose a nearby drain that can handle the rated drain flow (floor drain, sink or stand pipe).

**NOTE:** Most codes require an anti-siphon device or air gap. Observe all local plumbing codes and drain restrictions. The system and installation must comply with all state and local laws and regulations.

**Electrical facilities** - A 20 foot for indoor and 30 foot for outdoor cord and wall mount plug-in transformer are provided. The customer should provide a receptacle, preferably one not controlled by a switch that can be turned off accidentally. Observe local electrical codes. For Outdoor use with a UL Listed Class 2 Direct Plug-in Power Unit only.

**NOTE:** The softener works on 24 volt - 60 Hz electrical power only. Be sure to use the included transformer. Be sure the electrical outlet and transformer are in an inside location to protect from moisture. Properly ground to conform with all governing codes and ordinances.

**NOTE:** PN. 01030202 plug-in transformer is rated for indoor installations only. PN. 01033178 plug-in transformer is rated for indoor/outdoor installations.

**NOTE:** Observe all state and local electrical codes.

**NOTE:** The plug-in transformer is rated for indoor installations only.

### Placement

Refer to Figure 1 for system placement.

- Set the media tank on a solid, level surface near water, drain and electrical facilities. Place the outlet (black coupling) of the tank on the left.
- Set the brine system on a flat, smooth, solid surface as near the media tank as possible.

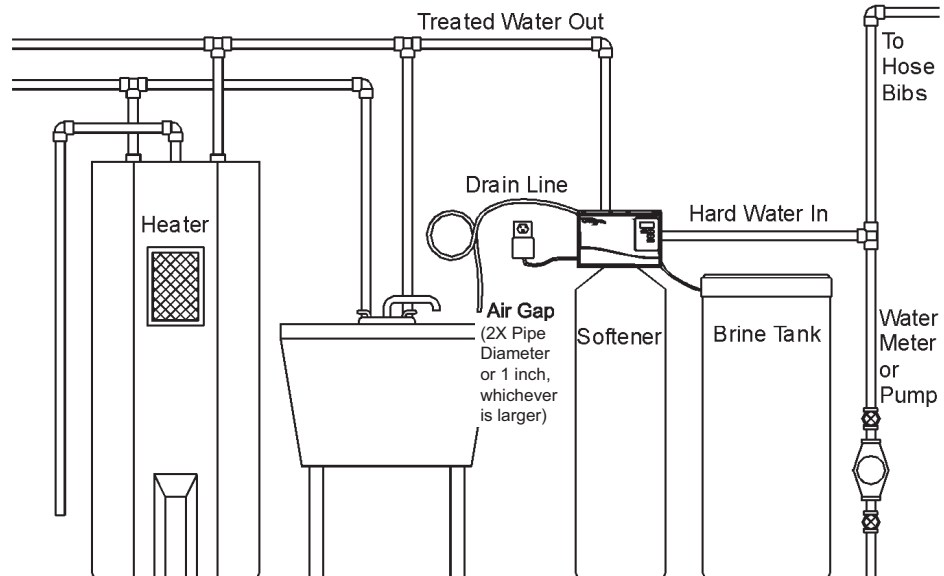
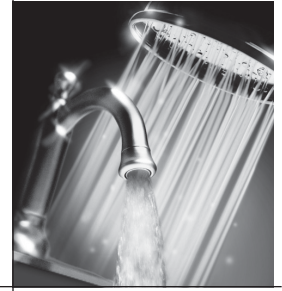


Figure 1.



## The Culligan Process

Your Culligan water softener consists of three basic components, (A) the Control Valve, (B) the Mineral Tank, and (C) the Brine System.

- A. The exclusive Culligan control valve automatically performs a variety of tasks that are necessary for the proper operation of your water softener. These tasks, commonly referred to as cycles or operating positions, are Service, Regeneration, and Brine Refill.
1. **Service:** While the control valve is in the “Service cycle”, hard water is directed down through the column of Cullex® resin where hardness minerals are removed from the water. The softened water is then directed into your household plumbing lines. The ability of the Cullex resin to remove hardness minerals needs to be periodically replenished; this is referred to as Regeneration.
  2. **Regeneration:** While the control valve is in the “Regeneration cycle”, water is first directed up through the column of Cullex resin to flush accumulated sediment out of the resin and down the drain. Then, the regenerant brine solution is slowly drawn from the bottom of the salt storage tank of the Brine System and is directed down through the column of Cullex resin, restoring the ability of the resin to remove hardness minerals from your water supply. Once completed, the regeneration cycle is followed by Brine Refill.
  3. **Brine Refill:** While the control valve is in the “Brine Refill cycle”, a predetermined amount of water is directed to the salt storage tank of the Brine System so that additional salt can be dissolved to provide the brine solution that will be needed for the next regeneration cycle.
- B. The Mineral Tank contains the Cullex resin column, Cullsan® underbedding, and an outlet manifold (the Culligan Total Home also includes carbon media for chlorine taste & odor reduction). The number of gallons of hard water that can be softened by the Cullex resin column before it needs regeneration is called the “capacity” of the resin column, and depends upon the amount of hardness minerals in each gallon of water (expressed as grains per gallon) and upon the amount of regenerant brine solution (expressed as pounds of salt) passed through the resin column during regeneration.

Your Culligan service person, taking into account the hardness of your water and the amount of softened water your household may reasonably expect to use each day, has carefully established how often the softener will regenerate and how much salt will be used for each regeneration. This will ensure that all of your soft water needs will be fulfilled without using an excessive amount of salt.

- C. The Brine System consists of a salt storage container and hydraulic Dubl-Safe™ valve. The salt storage container holds the salt that is used to make the regenerant brine solution. The hydraulic Dubl-Safe valve limits the amount of water that is returned to the salt storage tank during the brine refill cycle.

Since a predetermined amount of salt is dissolved with each brine refill cycle, the salt must be periodically replenished in order to maintain efficient operation. Your Culligan service person will be able to tell you about how often salt must be added to the salt storage container.



## Modes of Operation

### Modes of Operation

#### Soft-Minder® Operation

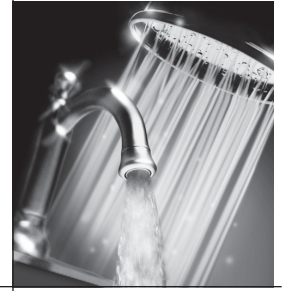
The Soft-Minder meter utilizes a turbine impeller to accurately monitor the customer's water usage. After a predetermined amount of water has passed through the system, the microprocessor will signal a regeneration. The "REG" enunciator will light at this point. The unit will perform a standard regeneration cycle at the preset time, unless the programming option "dip 2" is changed from "DEL" to "Id". When programming option "dip 2" is changed from "DEL" to "Id", a regeneration will begin immediately.

The programming of the Soft-Minder provides several settable variables, the Time-of-Day, Time-of-Regeneration, Salt Dosage, Backwash Time, Brine/Rinse Time, Gallons to Signal and Time clock Backup, if active. Refer to the programming section for further information on programming the microprocessor.

#### Time Clock Operation

When the microprocessor is set-up as a time clock unit, the Culligan Medallist Series™ control will regenerate at fixed intervals. The regeneration interval can be set anywhere from 1 to 99 days.

The programming for the time clock models is limited to Time-of-Day, Time-of-Regeneration, Salt dosage, Backwash Time, Brine/Rinse Time, and the Regeneration Interval. Refer to the programming section for further information on programming the microprocessor.



## **Salt Supply, Usage and Service**

Salt is the mineral used to “recharge” your water softener. A brine solution is automatically made up in the bottom of the salt storage container, the Cullex® resin beads in the tall, thin tank are flushed with brine solution as a step in the recharging process.

Your Culligan Water Softener has been carefully designed to get the greatest amount of softening capacity from the salt it uses. Here is some pertinent information about salt usage, types and service.

### **Salt Economizer**

This control is set at the time of installation, and determines salt usage according to the water hardness, number of persons in the household, and water usage.

### **What Kind of Salt is Best**

All Culligan Water Softeners are designed to use any water softener salt of good quality, including “rock”, “pellet”, “solar”, or “evaporated” types.

All rock salt, regardless of source, contains insoluble material which collects at the bottom of the salt storage tank and requires periodic clean-out.

Regardless of what type of salt is used, we recommend Culligan Brand Salt as suggested by your Culligan Dealer. He is the expert and can provide you with the best product for your Culligan Water Softener.

### **Automatic Salt Delivery Service**

Ask your Culligan Dealer for details about salt delivery service. You can have your salt supply replenished on a regular basis. Whether you have automatic delivery service or pick up salt from your Culligan Dealer, you will be getting quality salt packaged according to rigid Culligan specifications. Using Culligan Brand Salt will help assure continued efficiency and trouble-free operation of your water softener.

## **Salt Supply, Usage and Service**



## Care and Cleaning of Your Water Softener

Following these simple precautions will help assure continued trouble-free service and keep your Culligan Water Softener looking like new for years.

- Do not place heavy objects on top of the salt storage tank or timer cover.
- Use only mild soap and warm water when cleaning the exterior of the softener. Never use harsh, abrasive cleaning compounds or those which contain acid, such as vinegar, bleach and similar products.
- Important: Protect your water softener and the entire drainline from freezing temperatures. DANGER! If your unit should freeze, do not attempt to disassemble it. Call your Culligan Dealer.
- Important: Culligan water softeners are sold for use on potable water, only. If at any time the water becomes contaminated, such as during a “boil water” situation, the operation of the water softener should be discontinued until it is verified that the water is again potable. To do this, rotate the blue knob clockwise until it contacts the bypass body - Do not overtighten. Then, call your Culligan dealer to have your system sanitized before it is placed back into service.
- Should service, adjustment or trouble-shooting information be needed which is not covered in the Use and Care Guide, call your Culligan Dealer.

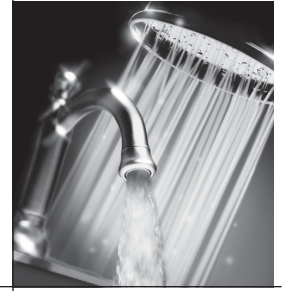
Note: Following the manufacturer's instructions regarding operation, maintenance and replacement requirements, including replacement of filters if applicable, is essential for Culligan's products to perform as advertised.

If you have further questions, please call your local independently operated Culligan dealer. He or she will be glad to be of assistance to you.

### Recommended Preventative Maintenance Inspection Schedule

The Culligan Medallist Series commercial water softener has been designed to provide a good, consistent service life. Routinely inspecting the system may help avoid potentially costly breakdowns related to circumstances outside of the control of the dealer and/or user.

Component	Suggested Inspection Frequency	Reason for Maintenance
Entire System	At Start-up, after infrequent use (idle for one week or more) or every 3 - 6 months	On private supplies, the appearance of off-tastes and odors, particularly if musty or “rotten egg” (caused by harmless sulfate-reducing bacteria) may indicate a need for the system to be sanitized. See page 26.
Backwash Flow Controller	Every 12 months or every time service is performed on the system.	Build up of sediment, iron and/or other foreign materials (found in some water supplies but not necessarily all) could negatively affect system performance. Monitor item for normal or unexpected wear.
Brine eductor nozzle and throat	Every 12 months or every time service is performed on the system.	Build up of sediment, iron and/or other foreign materials (found in some water supplies but not necessarily all) could negatively affect system performance. Monitor item for normal or unexpected wear.
Softening Media (Cullex)	Every 2 - 3 years	Chlorinated water supplies can breakdown and destroy resin material. Resin material may also perform poorly if subjected to other materials (sediment, iron, alum, etc.) found in some water supplies (but not necessarily all).



## Sanitizing Procedure

A water softener in daily use on a potable water supply generally requires no special attention other than keeping the salt tank filled. Occasionally, however, a unit may require sanitization under one of the following conditions:

- At start-up time.
- After standing idle for a week or more.
- On private supplies, the appearance of off-tastes and odors, particularly if musty or “rotten egg” (caused by harmless sulfate-reducing bacteria).

**NOTE:** If the water supply contains iron, regenerate the softener before sanitizing to remove iron from the resin.

**CAUTION!** Caution! HAZARD FROM TOXIC FUMES!  
Chlorine bleach and common iron control chemicals may generate toxic fumes when mixed.



- If the unit Culligan Softner-Gard® or other compounds containing sodium hydrosulfate, sodium bisulfate, or any other reducing agent, disconnect the device feeding the chemical(s) and manually regenerate the unit before sanitizing.
- Do not use this procedure if the softener salt contains iron control additives.

1. Remove the brine tank cover.
2. Pour directly into the brine chamber 1/3 to 1/2 cup of common household bleach (5.25% sodium hypochlorite) for each cubic foot of resin in the tank.

**NOTE** Do not use lemon scented bleach or similar bleaches that contain perfumes.

3. Manually start recharge. Allow the unit to complete the recharge cycle automatically.

If tastes and odors return frequently, even after sanitization, a continuous chlorination system may be needed. Send a water sample to a qualified laboratory for bacterial analysis.



## Cleaning Out the Salt Storage Tank

A periodic clean-out of the Salt Storage Tank is necessary to keep your Culligan Water Softener at peak operating efficiency. Do it at least every 2 years when the salt supply is low. Follow these step-by-step procedures:

### Tools needed:

- Scoop
- Clean, bucket-size container
- Phillips-head screwdriver
- Garden hose, Household scrub brush or sponge

1. Remove the salt storage tank cover and the cap from the brine valve chamber.
2. Disconnect the brine line from the brine valve by hold the outer ring of the push fitting, then pushing the tubing in slightly before pulling it out.
3. Lift the brine valve out of the brine valve chamber and set aside in an upright position.
4. If you'd like to save any clean, dry salt remaining in the tank, remove it and place it in a clean container.
5. Using the scoop, dig out and discard as much remaining salt, water and debris as possible.
6. Remove the brine valve chamber by removing the chamber retaining screw and nut.
7. Remove the salt plate at the bottom of the tank.
8. Lay the salt tank on its side and direct a brisk stream of water from your garden hose to its inside to rinse out all residue.
9. Using a household scrub brush and a mild soapy solution, clean the salt plate. This will complete the tank cleaning.
10. Re-insert the brine valve into the chamber, re-insert the brine line fully, and replace brine valve chamber cap.
11. Stand salt tank upright. Make sure to place the tank on a flat, smooth, solid surface.
12. Replace the salt plate. Place brine valve chamber in position and affix with screw and nut.
13. Insert the brine valve into the chamber and replace brine valve chamber cap.
14. Fill the salt storage tank with 4 to 6 inches of water.
15. Fill the tank with salt to within a few inches of the top.
16. Replace salt storage tank cover.

### Troubleshooting

The Culligan Medallist Series Softener is equipped with an advanced error detection system. During all operating modes the softener's electronics are performing self-diagnostics to ensure that the unit is operating correctly. There may be times, however, when something may occur that could cause the unit to improperly operate. In those instances the microprocessor will identify the exact problem and alert the user with a telephone handset symbol in the upper left corner of the display and the error code will be shown. Shown below is codes that would appear if an error is detected.

For any additional troubleshooting or service needs please contact your local Culligan Dealer.





## Programming

The timer uses four buttons:

Button	Description
Set-up / Enter Key (Status)	Advance timer through display options
Regeneration Key (REGEN)	Initiate a regeneration
Toggle Down Key ("-")	Decrease the setting
Toggle Up Key ("+")	Increase the setting

### Time of Day

This setting is used to program the current time of day. When in this step the display will first show "tod" for two seconds.

After "tod" is displayed, "12:00 PM" will display (or the current set time if already programmed) and the minutes will flash.

- The minutes are adjusted with the "+" or "-" key until the correct value is displayed.
- Press the "Regen" key to flash the hours. Adjust with the "+" or "-" key until the correct time is displayed.

Pressing the "Status" key will move to the next programming step. Pressing "Regen" will move back to the minutes adjust.

### Time of Regeneration

This setting is used to program the time at which a regeneration is to occur in the delay mode, or in immediate mode with time clock backup on. The display will first show "tor" for two seconds.

After "tor" is shown the display will then show the default of 2:00 AM (or the current programmed time of regeneration if already set). The time can be adjusted in 30 minute increments by pressing the "+" or "-" keys.

Pressing the "Status" key will save the setting and move to the next programming step.

### Salt Dosage

This settings used to set the salt dosage. The display will first show "SLtP" (SLtG for metric according to DIP switch #5 setting) for two seconds and then display the default (or previously programmed value). Adjust the salt dosage with the "+" or "-" keys.

Pressing the "STATUS" key will save the setting and move to the next programming step.

### Backwash Time

This setting is used to program the cycle 1 time that is usually backwash. The time of the cycle is kept in minutes. The display will show "buu" in the display for two seconds and then the cycle time in the right most digits. Adjust the value with the "+" or "-" keys.



Flashing Minutes



Flashing Hours



Flashing Time





Pressing the “Status” key will save the setting and move to the next programming step.

### Brine Draw / Slow Rinse Time

This setting is used to set the time in minutes for cycle 2. This cycle is usually brine draw / slow rinse for softeners and a settling time for filters. The display will show “br” in the left most digits and the cycle time in the right most digits. Adjust the value with the “+” or “-” keys.

Pressing the “Status” key will save the setting and move to the next programming step.

### Batch Set Point

This setting is used to set the trip point for regeneration when in flow meter operation. It will only appear if a flow meter is connected. The programmed setting displays the actual set point to trigger regeneration. The display will show the REG icon and “CAPG” (or “CAPL for metric) for two seconds and then display the “REG” and the setting numbers to adjust. Adjust the value with the “+” or “-” keys.

Pressing the “Status” key will save the setting and move to the next programming step.

### Blank Display

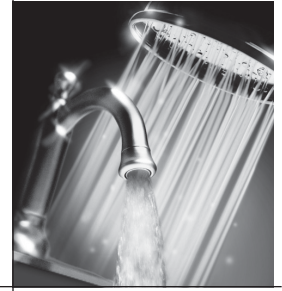
After the last programming menu is displayed (menu will vary depending on mode of operation), pressing status will move to a blank display screen.

From the ‘blank display’, pressing the “+” key from the blank display will enter the diagnostics menu.

From the ‘blank display’, pressing the “-” key will enter the statistics menu.

From the ‘blank display’, pressing the “Status” key will exit programming mode and return to the service mode time display.

- Pressing and holding the “REGEN” key while in the ‘blank display’ will put the control into “Auto Test Mode” (must be in service position to start).



## Service Check

The service mode allows one to view the instantaneous flow rate, the gallons remaining before the softener signals for regeneration, the number of regenerations in the past 14 days, the total number of regenerations the control has cycled through and the number of days since the last regeneration.

The statistical functions are reached by pressing the "Status" key until the screen blanks and then pressing the "-" key. Repetitive presses of the "-" key will cycle through the statistics mode. Pressing the "Status" key will exit statistics and move to the time display. The following table outlines the statistic function display, range limits and default setting:

Display	Range Limits	Comments
Flow Rate	0 to 999.0	Based on "K" factor setting, updated a minimum of every 6 seconds (Only active with Flow Meter attached).
Capacity Remaining (gal / L) (Meter Mode)	0 - 9,999	Remaining gallons (liters) until batch capacity is reached. Update display a minimum of every 6 seconds (Only active with Flow Meter attached).
Number of Regenerations - Last 14 days	0 to 99	- Days counter is to be updated at 12:00 AM ONLY when dip #2 is on AND dip #4 is off; Otherwise update at whatever TOR is set for  - Number of Regeneration is to be updated after a valid regeneration is complete (cycle 3 times out automatically)
Number of days since last Regeneration	0 to 99	- Days counter is to be updated at 12:00 AM ONLY when dip #2 is on AND dip #4 is off; Otherwise, update at whatever TOR is set for  - After a valid regeneration is complete (cycle 3 times out automatically), the counter is to be reset to 0
Number of Regenerations - Life of the Unit	0 to 9,999	Counter is to be updated after completion of valid regeneration cycle (cycle 3 times out automatically)

- To be saved in EEPROM before the control is powered down during a power outage.

Once the statistics menu is entered the information shown for each display is outlined below:

- "Regen" key is always ignored in statistics mode;
- Can enter directly into diagnostics mode by pressing the "+" key;
- When returning to statistics mode directly from diagnostics mode, always display the first statistic in the list as if statistics mode was entered for the first time (don't have to remember where it left off in the list);
- Can exit back to service mode by pressing the "status" key;
- Automatically times out back to service mode after 10 minutes of no key press activity - EXCEPT for "flow rate" and "capacity remaining"; when displaying "flow rate" and "capacity remaining" the control can stay in statistics mode indefinitely;
- Drop all leading zeros;



### Flow Rate

This display will only show if the flow meter is attached to the control. The display shall show the current flow rate of the water passing through the control. The display will show "FLO" for two seconds and then the current flow rate passing through the flow meter until a key is pressed.

This display shall never time out, as opposed to the rest of standard statistics (10 minutes).



### Capacity Remaining (gal/ L)

This display will only show if the flow meter is attached to the control. The display shows the gallons or liters of capacity remaining in the batch before regeneration will be triggered. The display will show "GALr" ("Litr" for metric) for two seconds and then display the remaining capacity. When reaching "0" the display will remain at "0" and not show negative values.

This display shall never time out, as opposed to the rest of standard statistic (10 minutes).



### Number of Regenerations in Last 14 Days

This display will show the number of regenerations that have occurred in the last 14 days. The display will first show "14dY" for two seconds and then display the number of valid regenerations that have occurred.



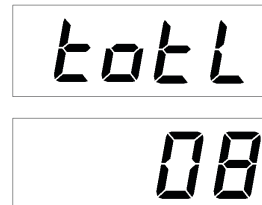
### Number of Days since Last Regeneration

This display shows the number of days that have elapsed since the last regeneration. The display will show "dAYS" for two seconds and then the number of days that have elapsed since the unit completed its last valid regeneration.



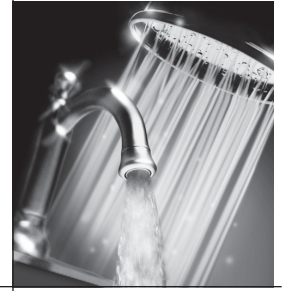
### Total Number of Regenerations for Life of Unit

This display will show the total number of regenerations that have occurred since installation. The display will show "totL" for two seconds and then display the total number of valid regenerations for the life of the unit.



### Statistical Function Timeout

If no key activity occurs for a period of 600 seconds (10 minutes) while in statistics functions mode, the mode will time out and return to the time of day display. An exception is that the flow rate and capacity remaining will not time out but will remain displayed until a key is pressed. Pressing the "Status" key at any time will return the unit back to the time display.



There are several conditions that will cause the control to trip a regeneration. The “REG” enunciator will light when the control has signaled for a regeneration. The “REG” enunciator will flash while the control is in regeneration. The following are conditions that will call for regeneration:

1. When the Soft-Minder® meter has recorded the passage of a predetermined number of gallons.
2. When the time clock has counted past the set number of days.
3. At the preset time, when the number of days without a regeneration is equal to the Timeclock Backup setting.
4. At the preset time, when the “REGEN” button is depressed once. “REG” will light.
5. Immediately, when the “REGEN” button is depressed for five seconds. “REG” will light and blink.
6. Immediately, if power to the unit has been off for more than 3 hours and time of day has been restored.

dIP 2” set to “del”, the regeneration will not begin until the preset regeneration time.

With “dIP 2” set to “del”, the regeneration will not begin until the preset regeneration time.

## Regeneration



## When and How to Bypass Your Water Softener

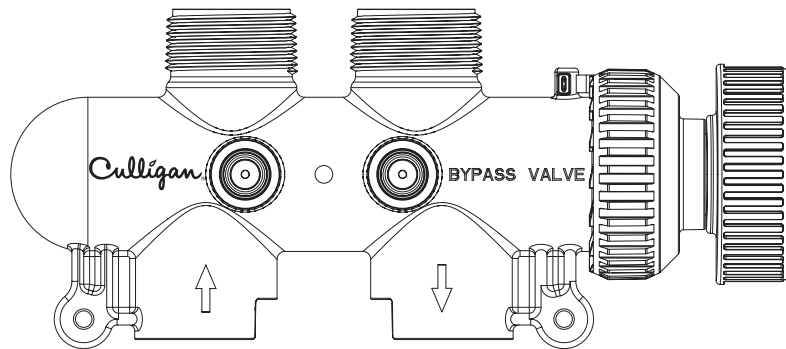
Normally, all water except outside lines passes through the water softener. There are times when the water softener should be bypassed, using the Cul-Flo-Valv® Bypass, or a 3-way bypass valve. You should bypass:

1. If lines to outside faucets do not bypass the water softener, and you do not want to waste soft water on lawn sprinkling or other outside uses.
2. If you are going away on vacation and want to save salt by not having the unit recharge while you're away.

### Medallist Series Bypass Valve

In the back of Culligan water softeners is a Cul-Flo-Valv Bypass.

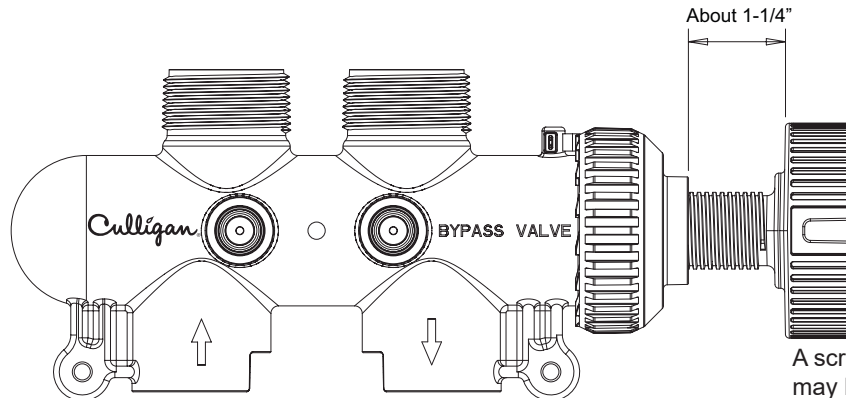
**NOTE:** The 3/4" Medallist bypass valve will look different on the valve connections but function the same. To bypass unit, simply turn the blue knob clockwise. To return to soft water service, reverse the procedure - turn the blue knob counter-clockwise.



To BYPASS, turn the blue knob clockwise (see directional arrow on end of knob) until the knob stops as shown.

**DO NOT OVERTIGHTEN!**

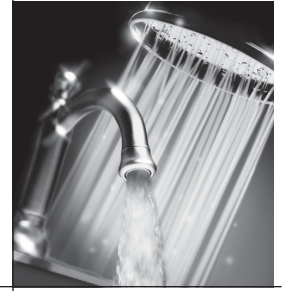
Figure 2. Bypassed



To return to SERVICE, turn the blue knob counter-clockwise (see directional arrow on end of knob) until the knob stops as shown.

**DO NOT OVERTIGHTEN!**

Figure 3. Soft Water



## Things to Check Before You Call for Service

If you unexpectedly experience hard water, make these simple checks before calling your Culligan dealer. One of the following conditions may be the reason for your interruption of service.

### Power Supply

Check your power supply cord. Is it plugged fully into the electric outlet? Be certain that the outlet is not controlled by a wall switch which has been turned off. Reset softener to proper time of day and then plug in.

### Blown Fuse

Check the house fuse or circuit breaker panel. Replace a blown-out fuse or reset an open circuit breaker.

### Power Failure

Any interruption in your power supply or time changes, such as daylight savings time, will disrupt your softener's recharge schedule by causing the timer to run off-schedule. Reset timer to proper time of day.

### Bypass Valves

Check to see if they are in the proper position. Cul-Flo-Valv<sup>®</sup> Bypass, if used, should be in the "Service" position (handle screwed out). If hand valves are used, see that inlet and outlet valve are opened and that the bypass valve is closed.

### No Water

If you aren't getting any water flow at all, make sure your water supply is working. Open a tap ahead of the softener (outside tap) to see if you have any water pressure. If you have water pressure, check the bypass valve. If it is in the Service position, put it into the bypass and call your Culligan dealer for service.

### Increased Usage

Guests, family additions, new water-using appliances, etc., all will result in more water usage and will require more capacity from your softener. You can reprogram your recharging schedule by following the directions on [page 18](#). Call your Culligan dealer for advice and save a service call.

### Salt Supply

Check it. Refill if necessary and wait approximately 4 hours for salt to dissolve before initiating a recharge cycle.

### Salt Bridging

Salt bridging occurs when a space is formed between the salt and the water underneath, preventing the salt from dissolving to make brine. No brine, no soft conditioned water!

High humidity and/or use of some brands of purified salt products may cause a salt bridge to form.

The best way to check and eliminate a salt bridging problem is to take a broom handle or similar instrument and make a mark 34 inches from the end. Then carefully begin to probe down through the salt with the instrument. Should an obstruction be found before the mark on your instrument reaches the rim of the salt storage tank, a salt bridge is likely to have formed. Continue to probe and break the salt bridge completely.



**CAUTION!** Do not force the implement past the mark as damage to the horizontal salt plate may occur.



### Parts List 1" Softener Valve

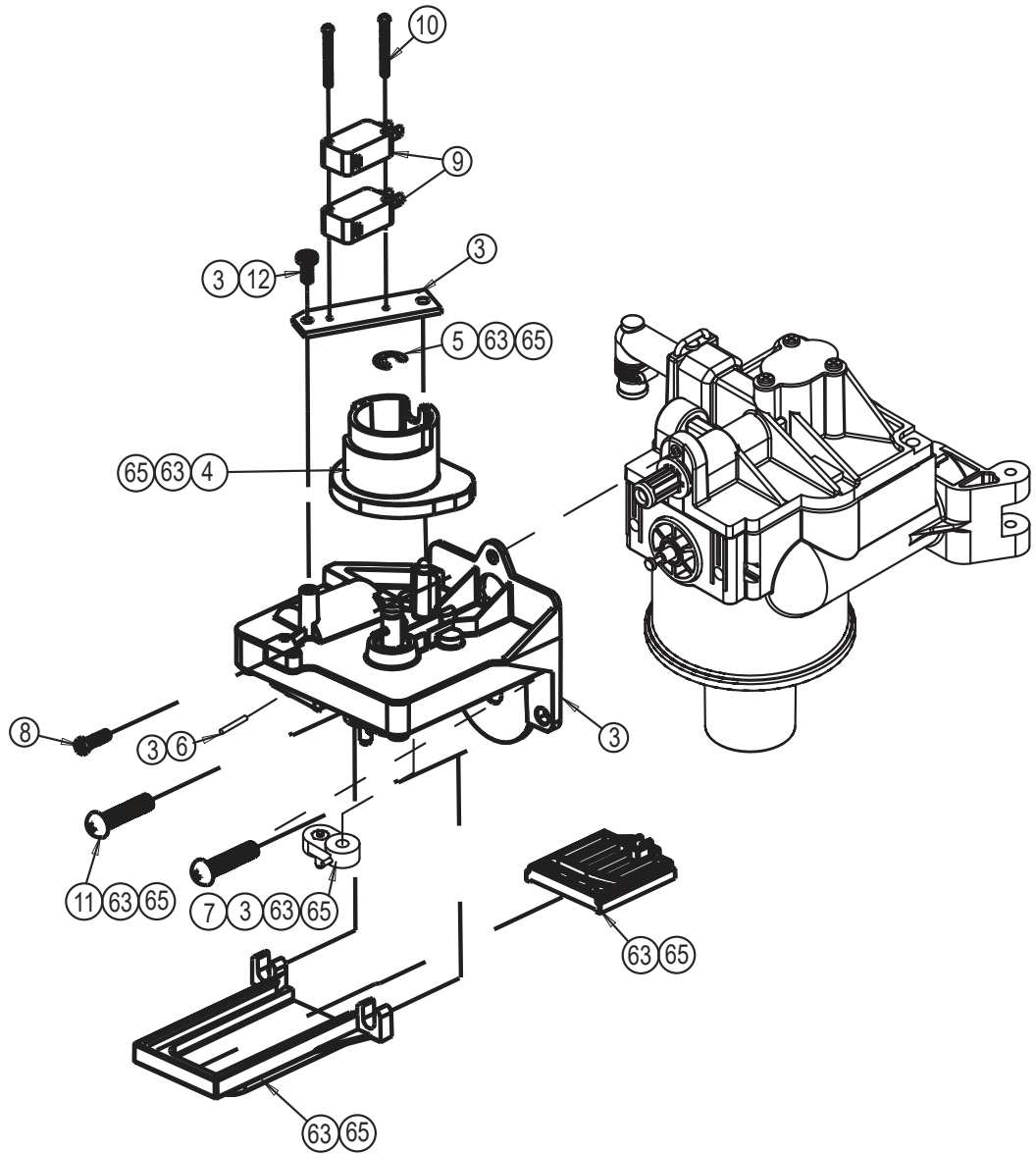
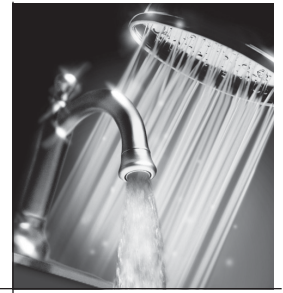


Figure 4. 1" Softener Valve





## Parts List 3/4" Softener Valve

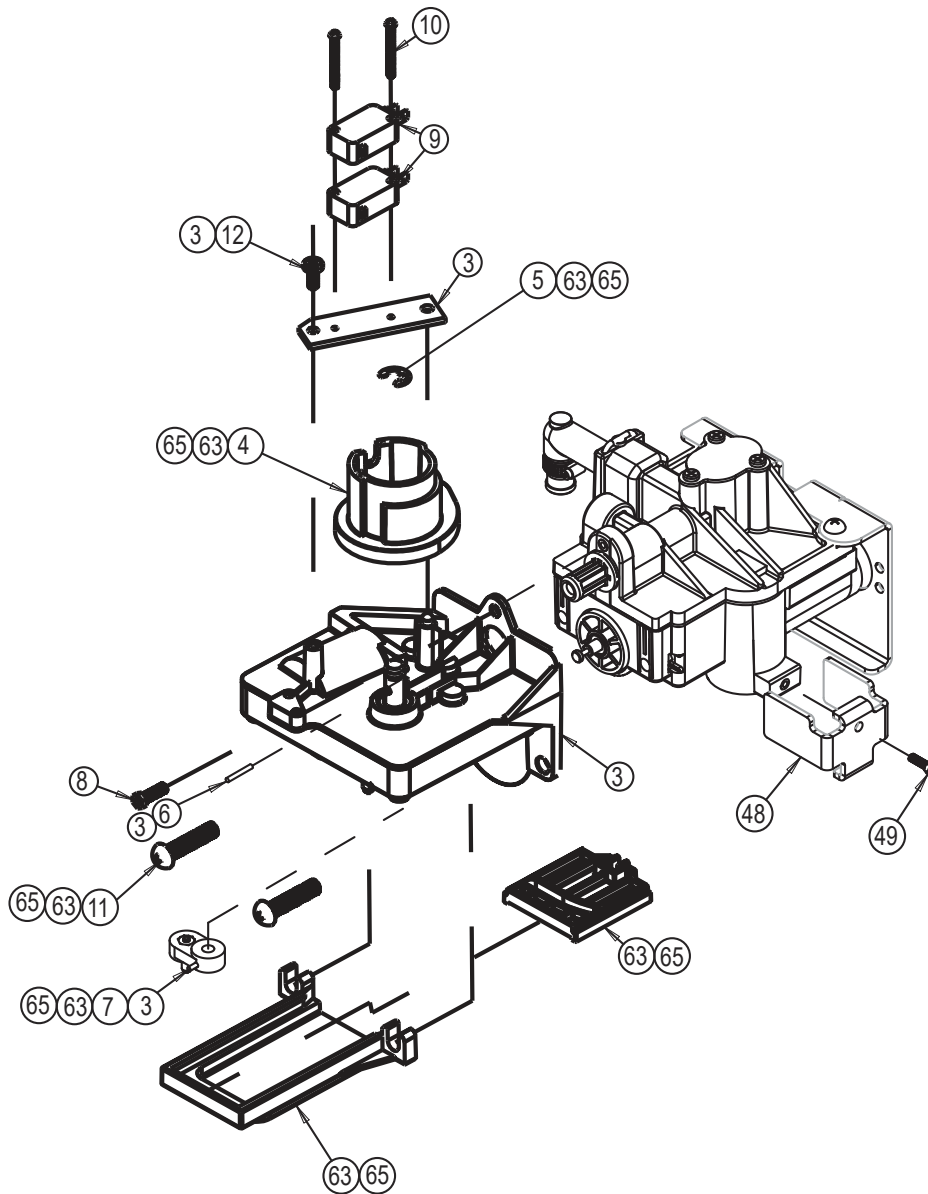


Figure 5. 3/4" Softener Valve



**Parts List 3/4" Softener Valve**

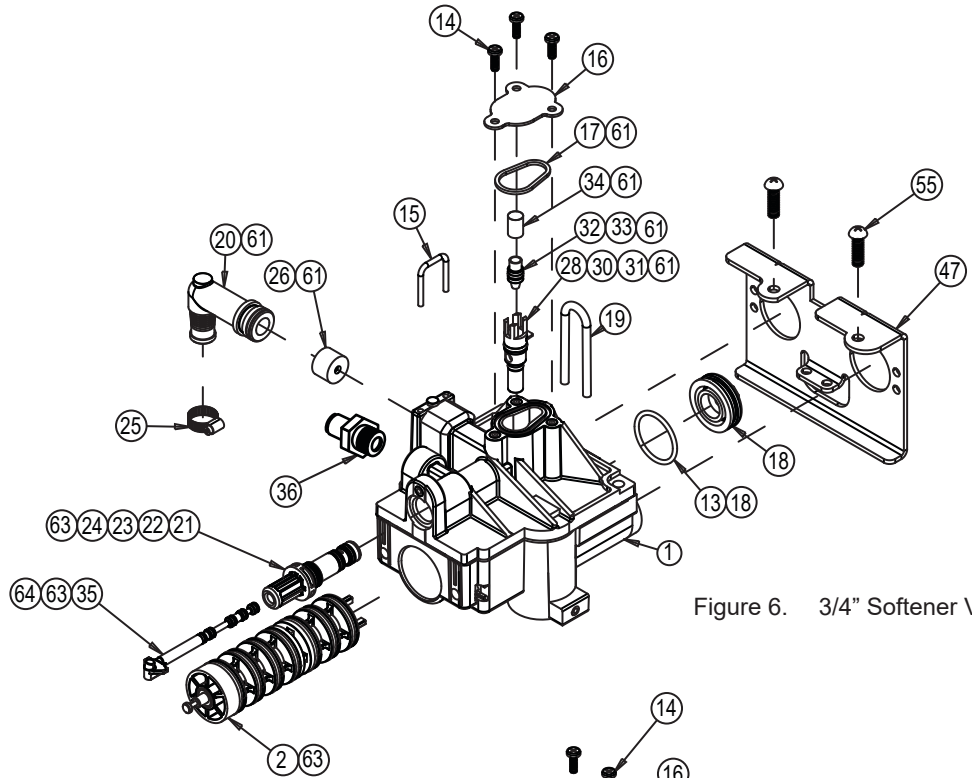


Figure 6. 3/4" Softener Valve

**Parts List 1" Softener Valve**

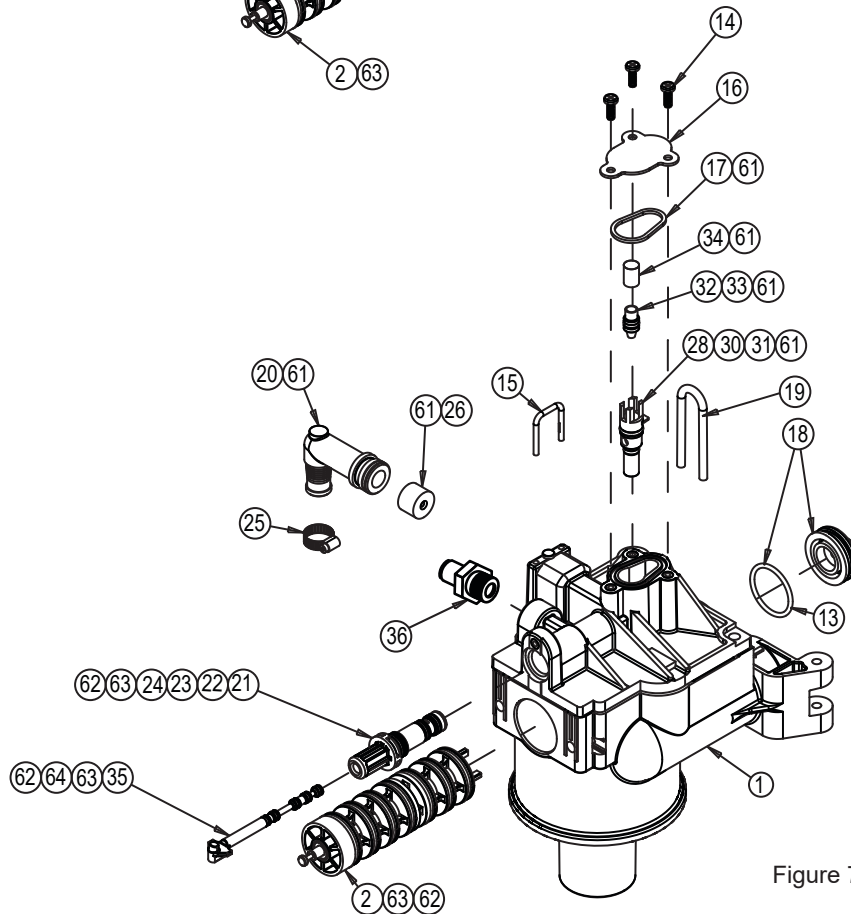


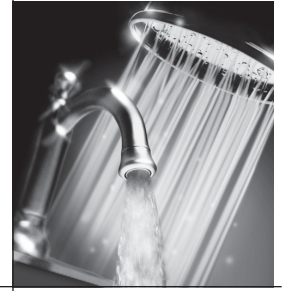
Figure 7. 1" Softener Valve





**Power Valve  
Service  
Parts List**

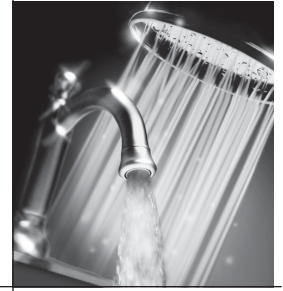
Item #	Part #	DESCRIPTION	Quantity/ Pack	Valve Size	
				3/4" Valve	1" Valve
1	01013976	Control Valve Body 1"	1 Each		X
1	00449865	Control Valve Body 3/4"	1 Each	X	
2	01013083	Seal Pack Assembly	1 Each	X	X
3	01014179	Drive Motor Kit 24V	1 Each	X	X
4	P1013031	Drive Cam	10 Each/Pack	X	X
5	P1013043	Retaining E-ring	10 Each/Pack	X	X
6	00445246	Pin	1 Each	X	X
7	P1013677	Bell Crank/Follower Kit	10 Each/Pack	X	X
8	P1001784	Screw, motor retaining, top	25 Each/Pack	X	X
9	P1003244	Microswitch 24v	10 Each/Pack	X	X
10	P0448686	Screw, Microswitch retaining	25 Each/Pack	X	X
11	P0318452	Screw, Motor retaining, bottom	25 Each/Pack	X	X
12	P0318455	Screw, Microswitch Plate	25 Each/Pack	X	X
13	P0444914	O-ring, Rear Seal	10 Each/Pack	X	X
14	P0448687	Screw, Eductor Cover	25 Each/Pack	X	X
15	P0447387	Clip, Drain Elbow	25 Each/Pack	X	X
16	P0401022	Eductor Cover	10 Each/Pack	X	X
17	P0445797	Seal, Eductor Port	10 Each/Pack	X	X
18	00448126	Plug, Body, Rear	1 Each	X	X
19	00448128	Clip, Body, Rear	1 Each	X	X
20	01017758	Drain Elbow Assembly	1 Each	X	X
21	P0448853	Repl Eductor Sleeve (Softener)	10 Each/Pack	X	X
22	P0447986	O-ring, Eductor Sleeve, Small	25 Each/Pack	X	X
23	P0308407	O-ring, Eductor Sleeve, Large	25 Each/Pack	X	X
24	P0448750	Screen, Eductor Sleeve	10 Each/Pack	X	X
25	P0451701	Hose Clamp, Drain	25 Each/Pack	X	X
26	P0331634	FC Washer, 1.2 GPM Black	10 Each/Pack	X	X
26	P0331635	FC Washer, 2.0 GPM Brown	10 Each/Pack	X	X
26	P0331636	FC Washer, 3.5 GPM Green	10 Each/Pack	X	X
28	P0401248	Eductor Throat, Brown (9"10"12")w/O-rings	10 Each/Pack	X	X
30	P0308437	O-Ring, Eductor Throat/Plug, Large	25 Each/Pack	X	X
31	P0308438	O-Ring, Eductor Throat, Small	10 Each/Pack	X	X
32	P1013894	Eductor Nozzle, Blue (9",10") w/ O-ring	10 Each/Pack	X	X



Item #	Part #	DESCRIPTION	Quantity/ Pack	Valve Size	
				3/4" Valve	1" Valve
33	P0308438	O-ring, Eductor Nozzle	10 Each/Pack	X	X
34	P0445269	Eductor Screen	10 Each/Pack	X	X
35	P0447987	O-ring, brine piston	10 Each/Pack	X	X
36	P1034571	Connector, Brine Line, 3/8"	10 Each/Pack	X	X
40B	01020368	Circuit Board Kit - Medallist	1 Each	X	X
43B	01019708	Enclosure Kit - Medallist	1 Each	X	X
44A	P1014734	Wire Harness - CB Gold/Medallist	5 Each/Pack	X	X
45B	P1014787	Power Cord - Medallist	5 Each/Pack	X	X
46	P1000372	Cord Grip (Power Cord)	25 Each/Pack	X	X
47	01004689	Bracket - 3/4" Medallist Rear	1 Each	X	
48	01005130	U-clamp - 3/4" Medallist	1 Each	X	
49	P0448687	Screw, U-clamp, 3/4" Medallist	25 Each/Pack	X	
50	01013971	Tank Adapter Kit, ACME, Medallist	1 Each	X	
50	01013970	Tank Adapter Kit, NPSM, Medallist	1 Each	X	
51	01014153	Adapter Assy, 1" valve to tank w/o O-ring	1 Each		X
52	01013958	Tank Adapter, 1" Valve	1 Each		X
52	00444808	Tank Adapter, 3/4" Valve, ACME threads	1 Each	X	
52C	00403523	Tank Adapter, 3/4" Valve, NPSM threads	1 Each	X	
53	P1013959	Tank Clamp, 1" Valve	10 Each/Pack		X
54	P1013669	Tank Clamp Pin, 1" Valve	10 Each/Pack		X
55	P0318383	Tank Clamp Screw, 1" Valve 3/4" bkt	10 Each/Pack		X
56	P1014848	O-ring, Large, 1" Valve to Tank Adapter	25 Each/Pack		X
57	P0440052	O-ring, 3/4"/1" Valve Adapter to ACME Tank	25 Each/Pack	X	X
57	P0308447	O-ring, 3/4" Valve Adapter to NPSM Tank	10 Each/Pack	X	
60	P0308427	O-ring, Manifold, 3/4" Valve	50 Each/Pack	X	
61	01016266	Eductor Rebuild Kit (Softeners)	1 Each	X	X
62	01016267	Rebuild Kit - Brine Piston/Seal Pack	1 Each	X	X

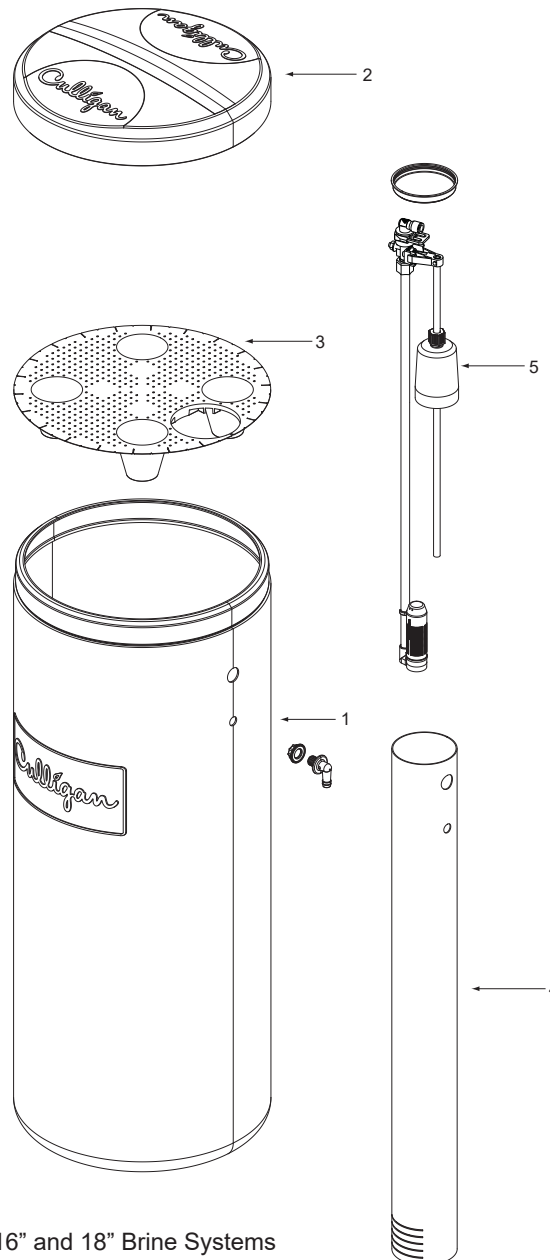


Item #	Part #	DESCRIPTION	Quantity/ Pack	Valve Size	
				3/4" Valve	1" Valve
63	01016269	Seal Pack/Bell Crank Kit	1 Each	X	X
67	01018425	Bypass Valve - 1" Rotary	1 Each	X	
67	01018760	Bypass Valve - 1"/1-1/4" Rotary	1 Each		X
67	01018248	1" Straight Through Adapter	1 Each		X
67	01018249	1 1/4" Straight Through Adapter	1 Each		X
68	01018755	Rebuild Kit - 1"/1-1/4" Rotary Bypass	1 Each		X
70	P1009075	Retaining Clip, 1" Bypass valve	10 Each/Pack		X
71	01013985	Coupling Kit - 3/4" Bypass	1 Kit	X	
71	01014033	Coupling Kit - 1" Bypass	1 Kit		X
72	P0308427	O-ring, 3/4" Couplings/Meters	50 Each/Pack	X	
72	P1009099	O-ring, 1" Couplings/Meters	50 Each/Pack		X
74	P0318546	Screw, 3/4" Couplings	25 Each/Pack	X	
75	01010783	1" Copper Adapter Kit, (1" Bypass)	1 Each		X
75	01016564	3/4" Copper Adapter Kit (1" Bypass)	1 Each		X
75	P1019783	3/4" Elbow Copper Adapter Kit	10 Pairs/Pack	X	
76	01016565	3/4" Elbow Copper Adapter Kit (1" Bypass)	1 Each		X
76	P1019782	3/4" Copper Adapter Kit	10 Pairs/Pack	X	
77	01018757	1" NPT Female Elbow Kit (1" Rotary Bypass)	5 Pair/Pack		X
78	01018758	1" NPT Kit (1" Rotary Bypass)	5 Pair/Pack		X
79	P1009856	Gasket, Copper Plumbing Adapters	25 Each/Pack		X
81	01018248	Plumbing Adapter Kit - 1" NPT	1 Each		X
81	01018249	Plumbing Adapter Kit - 1-1/4" NPT	1 Each		X
82	01012905	Meter Kit - 3/4" w/wire harness	1 Each	X	
82	01011188	Meter Kit - 1" w/wire harness	1 Each		X
83	01008070	Wire Harness, 3/4"/1" Meters	1 Each	X	X
84	P1012820	Screw, 3/4" meter kit	25 Each/Pack	X	
86	01018133	Transformer, Dual Output	1 Each	X	X
87	01015972	Transformer, Outdoor Models, 120/24	1 Each	X	X
89	01013839	Backup Battery, Gold	1 Each	X	X



### 16" and 18" Brine Systems

Item No.	Part No.	Description
-	01018705	Brine System, 250 lb
-	01018715	Brine System, 375 lb
1	01018709	Replacement Tank, 250 lb
	01018716	Replacement Tank, 375 lb
2	01018704	Cover, 250 lb
	01018717	Cover, 375 lb
3	01018707	Salt Plate, 250 lb
	01018713	Salt Plate, 375 lb
4	01018707	Brine Chamber, 250 lb & 375 lb
5	01035282	Brine Valve



### Parts List 16" and 18" Brine Systems

Figure 9. 16" and 18" Brine Systems



**Parts List  
11" Brine  
System**

Item	Part Number	Description
-	01018770	Brine System, 156 lb
1	01018769	Replacement Tank, 156 lb
2	01018910	Cover, 156 lb
3	01018764	Salt Plate, 156 lb
4	01018768	Brine Chamber, 156 lb
5	01035282	Brine Valve

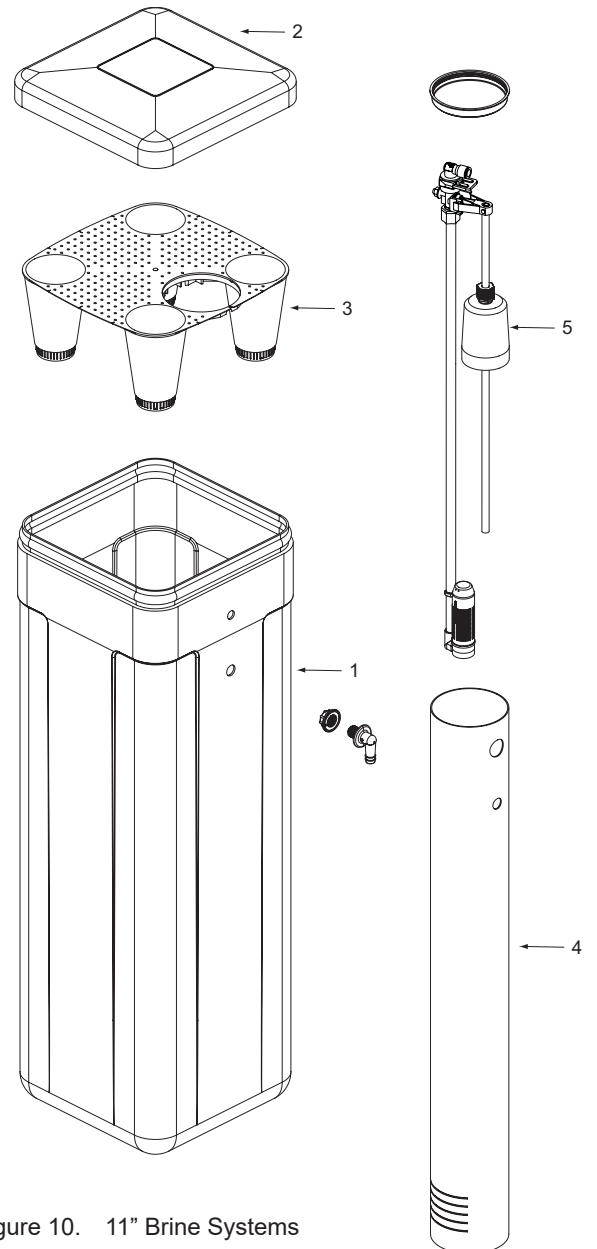
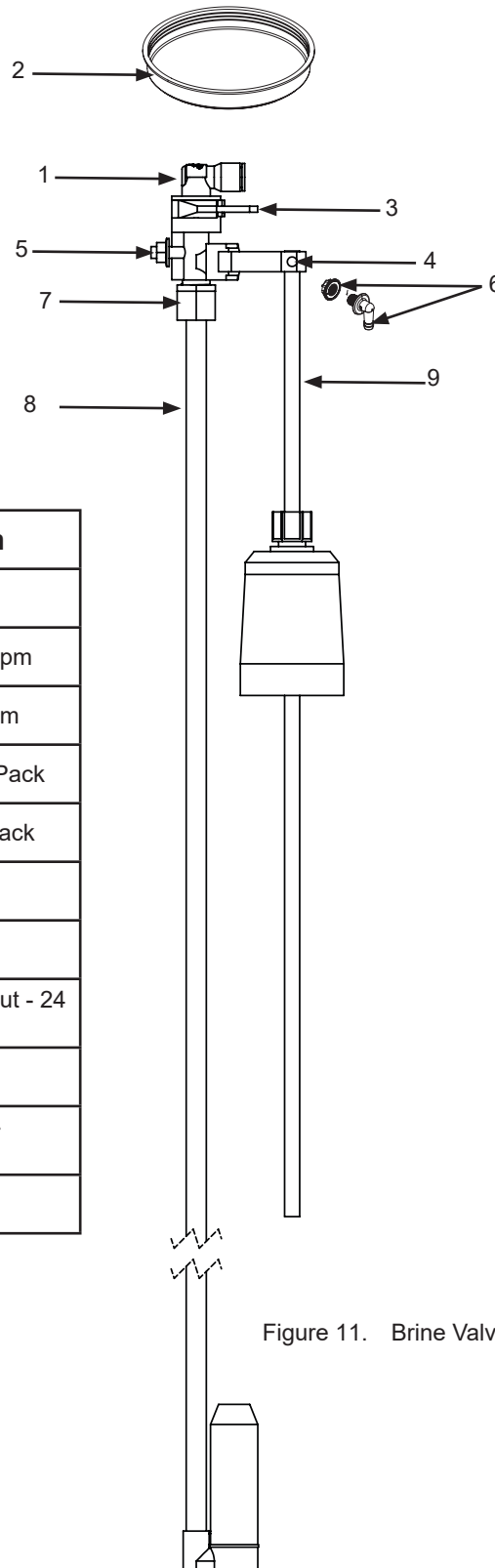


Figure 10. 11" Brine Systems





**Parts List  
Brine Valve**



Item No.	Part No.	Description
-	01018706	Brine Valve
1	01035204	BLFC Elbow - 0.45 gpm
	01018711	BLFC Elbow - 0.8 gpm
2	P1020194	Brine Well Cap - 24 Pack
3	P1020191	Retaining Clip - 24 Pack
4	P1020192	Pin - 24 Pack
5	P1020193	5/16" Nut - 24 Pack
6	P1020190	Overflow Fitting w/ Nut - 24 Pack
7	P1020195	3/8" Nut - 24 Pack
8	P1020198	Air check Assembly - 24 Pack
9	P1020197	Float - 24 Pack

Figure 11. Brine Valve



**Performance  
Data Sheet  
Culligan  
Medallist  
Series® 8”**

Culligan knows the more informed you are about your water treatment systems, the more confident you will be about its performance. It's because of this and more than seventy years of commitment to customer satisfaction that Culligan is providing this Performance Data Sheet to its customers.

**NOTICE** Read this Performance Data Sheet and compare the capabilities of this unit with your actual water treatment needs. It is recommended that before purchasing a water treatment unit, you have your water supply tested to determine your actual water treatment needs.

Manufacturer: Culligan International Company  
9399 W. Higgins Rd., Suite 1100,  
Rosemont, IL 60018 USA  
(847) 430-2800  
www.culligan.com



PRODUCT: Culligan Medallist Series® 8” Water Softener

**TESTING CONDITIONS & RESULTS:**

Flow Rate:	5.9 gpm @12 psi	Capacity:	13,312 grains @ 3.0 lb. salt
Pressure:	30 - 40 psi		22,947 grains @ 9.0 lb. salt
Acidity:	Non-Corrosive		24,853 grains @ 12.0 lb. salt
Temperature:	68° (20°C)	pH:	7.6

**SOFTENER SPECIFICATIONS:**

Maximum Flow Rate: 5.9 gpm (22 Lpm)  
 Pressure Drop at Maximum Flow Rate: 12 psi (83 kPa)  
 Operating Temperature Range: 33 - 120°F (1 - 50°C)  
 Maximum Drain Flow Rate: 1.1 gpm (8 Lpm)  
 Operating Pressure Range: 20 - 125 psi (140 - 860 kPa)  
 Operating Pressure Range (Canada): 20 - 90 psi (140 - 620 kPa)

Name of Substance	USEPA Maximum Contaminant Level	pH	Flow Rate	Pressure
Barium	2.0 mg/L	7.5 ± 0.5	5.9 gpm	12 (psig)
Radium 226/228	5 pCi/L	7.5 ± 0.5	5.9 gpm	12 (psig)

This system is certified for barium and radium 226/228 reduction based on hardness reduction. It is recommended you test your water every 6 months to ensure the system is performing properly and that hardness, and therefore barium and radium 226/228, are being reduced.

The Culligan Medallist Series® 8 Water Softeners are tested and certified by WQA against NSF/ANSI 372, CSA B483.1, and NSF/ANSI Standard 44 for the effective reduction of hardness (calcium and magnesium) and barium/radium as verified and substantiated by test data.

The Culligan Medallist Series® 8 Water Softeners are certified by IAPMO R&T against NSF/ANSI 372, CSA B483.1, and NSF/ANSI Standard 44 for the effective reduction of hardness (calcium and magnesium) and barium/radium as verified and substantiated by test data.

To maintain product certification and ensure uniform performance, the product is retested on a consistent basis.

The Culligan Medallist Series® 8 Water Softeners are registered under California Water Treatment Device Registration Number 1987 and Iowa Water Treatment Device Registration Number 20325.

Refer to the Specifications, Familiarization and Warranty section of this Owner's Guide Add (P/N 01020482) for more specific product information. To avoid contamination from improper handling and installation, your system should only be installed and serviced by your Culligan Man. Performance will vary based on local water conditions. The substances reduced by this system are not necessarily in your water.

Culligan water softeners are designed to work with any salt of good quality, although it is recommended that you ask your local Culligan Man for his suggestion on the best type and grade of salt to use in this softener.

**NOTICE** This softener is not intended to be used for treating water that is microbiologically unsafe or of unknown quality without adequate disinfection before or after the system.

**Buyer Signature** \_\_\_\_\_ **Date** \_\_\_\_\_

**Seller Signature** \_\_\_\_\_ **Date** \_\_\_\_\_



**Performance  
Data Sheet  
Culligan  
Medallist  
Series® 8" with  
Soft-Minder®  
Meter**

Culligan knows the more informed you are about your water treatment systems, the more confident you will be about its performance. It's because of this and more than seventy years of commitment to customer satisfaction that Culligan is providing this Performance Data Sheet to its customers.

**NOTICE** Read this Performance Data Sheet and compare the capabilities of this unit with your actual water treatment needs. It is recommended that before purchasing a water treatment unit, you have your water supply tested to determine your actual water treatment needs.

Manufacturer: Culligan International Company  
9399 W. Higgins Rd., Suite 1100,  
Rosemont, IL 60018 USA  
(847) 430-2800  
www.culligan.com



PRODUCT: Culligan Medallist Series® 8" Water Softener with Soft-Minder® Meter

**TESTING CONDITIONS & RESULTS**

Flow Rate:	5.9 gpm @12 psi	Capacity:	13,312 grains @ 3.0 lb. salt
Pressure:	30 - 40 psi		22,947 grains @ 9.0 lb. salt
Acidity:	Non-Corrosive		24,853 grains @ 12.0 lb. salt
Temperature:	68° (20°C)	Efficiency Rated Dosage**:	4,437 gr./lb.
pH:	7.6		

**SOFTENER SPECIFICATIONS:**

Maximum Flow Rate: 5.9 gpm (22 Lpm)	Pressure Drop at Maximum Flow Rate: 12 psi (83 kPa)
Operating Temperature Range: 33 - 120°F (1 - 50°C)	Maximum Drain Flow Rate: 1.1 gpm (8 Lpm)
Oper. Press. Range: 20-125 psi (140 - 860 kPa)	Oper. Press. Range (Canada): 20-90 psi (140-620 kPa)

Name of Substance	USEPA Maximum Contaminant Level	pH	Flow Rate	Pressure
Barium	2.0 mg/L	7.5 ± 0.5	5.9 gpm	12 (psig)
Radium 226/228	5 pCi/L	7.5 ± 0.5	5.9 gpm	12 (psig)

This system is certified for barium and radium 226/228 reduction based on hardness reduction. It is recommended you test your water every 6 months to ensure the system is performing properly and that hardness, and therefore barium and radium 226/228, are being reduced.

The Culligan Medallist Series® 8 Water Softeners are tested and certified by WQA against NSF/ANSI 372, CSA B483.1, and NSF/ANSI Standard 44 for the effective reduction of hardness (calcium and magnesium) and barium/radium as verified and substantiated by test data.

The Culligan Medallist Series® 8 Water Softeners are certified by IAPMO R&T against NSF/ANSI 372, CSA B483.1, and NSF/ANSI Standard 44 for the effective reduction of hardness (calcium and magnesium) and barium/radium as verified and substantiated by test data.

To maintain product certification and ensure uniform performance, the product is retested on a consistent basis.

The Culligan Medallist Series 8" Water Softeners with Soft-Minder are registered under California Water Treatment Device Registration Number 1987a and Iowa Water Treatment Device Registration Number 20326.

This softener is efficiency rated, it has a Demand Initiated Regeneration (D.I.R.) feature which complies with specific performance specifications intended to minimize the amount of regenerant brine and water used in their operation. The softener has a rated salt efficiency of not less than 3350 grains of total hardness exchange per pound of salt used (based on NaCl equivalency), and shall not deliver more salt than its listed rating. The efficiency is measured by a laboratory test described in NSF/ANSI Standard 44. This test represents the maximum possible efficiency that the system can achieve. Operational efficiency is the actual efficiency achieved after the system has been installed. Operational efficiency is typically less than the efficiency due to individual application factors including water hardness, water usage, and other contaminants that reduce the softener's capacity.

Refer to the Specifications, Familiarization and Warranty section of this Owner's Guide (P/N 01020482) for more specific product information. To avoid contamination from improper handling and installation, your system should only be installed and serviced by your Culligan Man. Performance will vary based on local water conditions. The substances reduced by this system are not necessarily in your water.

Culligan water softeners are designed to work with any salt of good quality, although it is recommended that you ask your local Culligan Man for his suggestion on the best type and grade of salt to use in this softener.

**NOTICE** This softener is not intended to be used for treating water that is microbiologically unsafe or of unknown quality without adequate disinfection before or after the system.

\*\* The efficiency rated dosage is only valid at the 4.0 lb. salt dosage.

Buyer Signature \_\_\_\_\_ Date \_\_\_\_\_

Seller Signature \_\_\_\_\_ Date \_\_\_\_\_

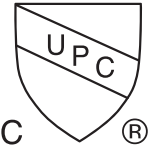


**Performance  
Data Sheet  
Culligan  
Medallist Plus  
Series® 30 with  
Soft-Minder®  
Meter**

Culligan knows the more informed you are about your water treatment systems, the more confident you will be about its performance. It's because of this and more than seventy years of commitment to customer satisfaction that Culligan is providing this Performance Data Sheet to its customers.

**NOTICE** Read this Performance Data Sheet and compare the capabilities of this unit with your actual water treatment needs. It is recommended that before purchasing a water treatment unit, you have your water supply tested to determine your actual water treatment needs.

Manufacturer: Culligan International Company  
9399 W. Higgins Rd., Suite 1100,  
Rosemont, IL 60018 USA  
(847) 430-2800  
www.culligan.com



PRODUCT: Culligan Medallist Plus Series® 30 Water Softener with Soft-Minder® Meter

**TESTING CONDITIONS & RESULTS:**

Flow Rate:	9 gpm @ 15 psi	Capacity:	17,172 grains @ 4.0 lb. salt
Pressure:	30 - 40 psi		23,664 grains @ 8.0 lb. salt
Acidity:	Non-Corrosive		27,700 grains @ 12.0 lb. salt
Temperature:	68° F (20°C)	Efficiency Rated Dosage**:	4,293 gr./lb.
pH:	7.6		

**SOFTENER SPECIFICATIONS:**

Maximum Flow Rate: 9 gpm (34 Lpm)	Pressure Drop at Maximum Flow Rate: 15 psi (109 kPa)
Operating Temperature Range: 33 - 120° F (1 - 50°C)	Maximum Drain Flow Rate: 1.7 gpm (6.4 Lpm)
Oper. Press. Range: 20-125 psi (140-860 kPa)	Oper. Press. Range (Canada): 20-90 psi (140-620 kPa)

Name of Substance	USEPA Maximum Contaminant Level	pH	Flow Rate	Pressure
Barium	2.0 mg/L	7.5 + 0.5	9.0 gpm	15 (psig)
Radium 226/228	5 pCi/L	7.5 + 0.5	9.0 gpm	15 (psig)

This system is certified for barium and radium 226/228 reduction based on hardness reduction. It is recommended you test your water every 6 months to ensure the system is performing properly and that hardness, and therefore barium and radium 226/228, are being reduced.

The Culligan Medallist Plus Series® 30 Water Softeners are tested and certified by WQA against NSF/ANSI 372, CSA B483.1, and NSF/ANSI Standard 44 for the effective reduction of hardness (calcium and magnesium) and barium/radium as verified and substantiated by test data.

The Culligan Medallist Plus Series® 30 Water Softeners are tested and certified by WQA against NSF/ANSI Standard 61 for material requirements.

The Culligan Medallist Plus Series® 30 Water Softeners are certified by IAPMO R&T against NSF/ANSI 372, CSA B483.1, and NSF/ANSI Standard 44 for the effective reduction of hardness (calcium and magnesium) and barium/radium as verified and substantiated by test data.

The Culligan Medallist Plus Series® 30 Water Softeners are certified by IAPMO R&T against NSF/ANSI Standard 61 for material requirements.

To maintain product certification and ensure uniform performance, the product is retested on a consistent basis.

The Culligan Medallist Plus Series 30 Water Softeners with Soft-Minder are registered under California Water Treatment Device Registration Number 3005 and Iowa Water Treatment Device Registration Number 20330.

This softener is efficiency rated, it has a Demand Initiated Regeneration (D.I.R.) feature which complies with specific performance specifications intended to minimize the amount of regenerant brine and water used in their operation. The softener has a rated salt efficiency of not less than 3350 grains of total hardness exchange per pound of salt used (based on NaCl equivalency), and shall not deliver more salt than its listed rating. The efficiency is measured by a laboratory test described in NSF/ANSI Standard 44. This test represents the maximum possible efficiency that the system can achieve. Operational efficiency is the actual efficiency achieved after the system has been installed. Operational efficiency is typically less than the efficiency due to individual application factors including water hardness, water usage, and other contaminants that reduce the softener's capacity.

Refer to the Specifications, Familiarization and Warranty section of this Owner's Guide (P/N 01020482) for more specific product information. To avoid contamination from improper handling and installation, your system should only be installed and serviced by your Culligan Man. Performance will vary based on local water conditions. The substances reduced by this system are not necessarily in your water.

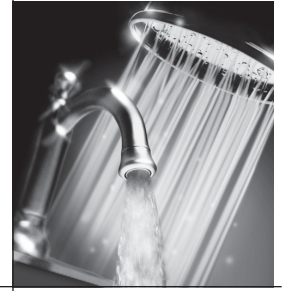
Culligan water softeners are designed to work with any salt of good quality, although it is recommended that you ask your local Culligan Man for his suggestion on the best type and grade of salt to use in this softener.

**NOTICE** This softener is not intended to be used for treating water that is microbiologically unsafe or of unknown quality without adequate disinfection before or after the system.

\*\* The efficiency rated dosage is only valid at the 4.0 lb. salt dosage.

**Buyer Signature** \_\_\_\_\_ **Date** \_\_\_\_\_

**Seller Signature** \_\_\_\_\_ **Date** \_\_\_\_\_



**Performance  
Data Sheet  
Culligan  
Medallist Plus  
Series® 45 with  
Soft-Minder®  
Meter**

Culligan knows the more informed you are about your water treatment systems, the more confident you will be about its performance. It's because of this and more than seventy years of commitment to customer satisfaction that Culligan is providing this Performance Data Sheet to its customers.

**NOTICE** Read this Performance Data Sheet and compare the capabilities of this unit with your actual water treatment needs. It is recommended that before purchasing a water treatment unit, you have your water supply tested to determine your actual water treatment needs.

Manufacturer: Culligan International Company  
9399 W. Higgins Rd., Suite 1100,  
Rosemont, IL 60018 USA  
(847) 430-2800  
www.culligan.com



PRODUCT: Culligan Medallist Plus Series® 45 Water Softener with Soft-Minder® Meter

**TESTING CONDITIONS & RESULTS:**

Flow Rate:	9.4 gpm @ 15 psi	Capacity:	26,770 grains @ 6.0 lb. salt
Pressure:	30 - 40 psi		38,830 grains @ 12.0 lb. salt
Acidity:	Non-Corrosive		45,943 grains @ 18.0 lb. salt
Temperature:	68°F (20°C)	Efficiency Rated Dosage**:	4,461 gr./lb.
pH:	7.6		

**SOFTENER SPECIFICATIONS:**

Maximum Flow Rate: 9.4 gpm (35.5 Lpm)	Pressure Drop at Maximum Flow Rate: 15 psi (109 kPa)
Operating Temperature Range: 33 - 120°F (1 - 50°C)	Maximum Drain Flow Rate: 1.6 gpm (6.1 Lpm)
Oper. Press. Range: 20-125 psi (140-860 kPa)	Oper. Press. Range (Canada): 20-90 psi (140-620 kPa)

Name of Substance	USEPA Maximum Contaminant Level	pH	Flow Rate	Pressure
Barium	2.0 mg/L	7.5 + 0.5	9.4 gpm	15 (psig)
Radium 226/228	5 pCi/L	7.5 + 0.5	9.4 gpm	15 (psig)

This system is certified for barium and radium 226/228 reduction based on hardness reduction. It is recommended you test your water every 6 months to ensure the system is performing properly and that hardness, and therefore barium and radium 226/228, are being reduced.

The Culligan Medallist Plus Series® 45 Water Softeners are tested and certified by WQA against NSF/ANSI 372, CSA B483.1, and NSF/ANSI Standard 44 for the effective reduction of hardness (calcium and magnesium) and barium/radium as verified and substantiated by test data.

The Culligan Medallist Plus Series® 45 Water Softeners are tested and certified by WQA against NSF/ANSI Standard 61 for material requirements.

The Culligan Medallist Plus Series® 45 Water Softeners are certified by IAPMO R&T against NSF/ANSI 372, CSA B483.1, and NSF/ANSI Standard 44 for the effective reduction of hardness (calcium and magnesium) and barium/radium as verified and substantiated by test data.

The Culligan Medallist Plus Series® 45 Water Softeners are certified by IAPMO R&T against NSF/ANSI Standard 61 for material requirements.

To maintain product certification and ensure uniform performance, the product is retested on a consistent basis.

The Culligan Medallist Plus Series 45 Water Softeners with Soft-Minder are registered under California Water Treatment Device Registration Number 3061 and Iowa Water Treatment Device Registration Number 20332.

This softener is efficiency rated, it has a Demand Initiated Regeneration (D.I.R.) feature which complies with specific performance specifications intended to minimize the amount of regenerant brine and water used in their operation. The softener has a rated salt efficiency of not less than 3350 grains of total hardness exchange per pound of salt used (based on NaCl equivalency), and shall not deliver more salt than its listed rating. The efficiency is measured by a laboratory test described in NSF/ANSI Standard 44. This test represents the maximum possible efficiency that the system can achieve. Operational efficiency is the actual efficiency achieved after the system has been installed. Operational efficiency is typically less than the efficiency due to individual application factors including water hardness, water usage, and other contaminants that reduce the softener's capacity.

Refer to the Specifications, Familiarization and Warranty section of this Owner's Guide (P/N 01020482) for more specific product information. To avoid contamination from improper handling and installation, your system should only be installed and serviced by your Culligan Man. Performance will vary based on local water conditions. The substances reduced by this system are not necessarily in your water.

Culligan water softeners are designed to work with any salt of good quality, although it is recommended that you ask your local Culligan Man for his suggestion on the best type and grade of salt to use in this softener.

**NOTICE** This softener is not intended to be used for treating water that is microbiologically unsafe or of unknown quality without adequate disinfection before or after the system.

\*\* The efficiency rated dosage is only valid at the 4.0 lb. salt dosage.

Buyer Signature \_\_\_\_\_ Date \_\_\_\_\_

Seller Signature \_\_\_\_\_ Date \_\_\_\_\_



**Performance  
Data Sheet  
Culligan  
Medallist Plus  
Series® 60 with  
Soft-Minder®  
Meter**

Culligan knows the more informed you are about your water treatment systems, the more confident you will be about its performance. It's because of this and more than seventy years of commitment to customer satisfaction that Culligan is providing this Performance Data Sheet to its customers.

**NOTICE** Read this Performance Data Sheet and compare the capabilities of this unit with your actual water treatment needs. It is recommended that before purchasing a water treatment unit, you have your water supply tested to determine your actual water treatment needs.

Manufacturer: Culligan International Company  
9399 W. Higgins Rd., Suite 1100,  
Rosemont, IL 60018 USA  
(847) 430-2800  
www.culligan.com



PRODUCT: Culligan Medallist Plus Series® 60 Water Softener with Soft-Minder® Meter

**TESTING CONDITIONS & RESULTS:**

Flow Rate:	10 gpm @ 15 psi	Capacity:	35,614 grains @ 8.0 lb. salt
Pressure:	30 - 40 psi		51,659 grains @ 16.0 lb. salt
Acidity:	Non-Corrosive		60,523 grains @ 24.0 lb. salt
Temperature:	68°F (20°C)	Efficiency Rated Dosage**:	4,451 gr./lb.
pH:	7.6		

**SOFTENER SPECIFICATIONS:**

Max. Flow Rate: 10 gpm (38 Lpm)	Pressure Drop at Maximum Flow Rate: 15 psi (109 kPa)
Operating Temperature Range: 33-120°F (1-50°C)	Maximum Drain Flow Rate: 2.6 gpm (9.8 Lpm)
Oper. Press. Range: 20-125 psi (140-860 kPa)	Oper. Press. Range (Canada): 20-90 psi (140-620 kPa)

Name of Substance	USEPA Maximum Contaminant Level	pH	Flow Rate	Pressure
Barium	2.0 mg/L	7.5 + 0.5	10 gpm	15 (psig)
Radium 226/228	5 pCi/L	7.5 + 0.5	10 gpm	15 (psig)

This system is certified for barium and radium 226/228 reduction based on hardness reduction. It is recommended you test your water every 6 months to ensure the system is performing properly and that hardness, and therefore barium and radium 226/228, are being reduced.

The Culligan Medallist Plus Series® 60 Water Softeners are tested and certified by WQA against NSF/ANSI 372, CSA B483.1, and NSF/ANSI Standard 44 for the effective reduction of hardness (calcium and magnesium) and barium/radium as verified and substantiated by test data.

The Culligan Medallist Plus Series® 60 Water Softeners are tested and certified by WQA against NSF/ANSI Standard 61 for material requirements.

The Culligan Medallist Plus Series® 60 Water Softeners are certified by IAPMO R&T against NSF/ANSI 372, CSA B483.1, and NSF/ANSI Standard 44 for the effective reduction of hardness (calcium and magnesium) and barium/radium as verified and substantiated by test data.

The Culligan Medallist Plus Series® 60 Water Softeners are certified by IAPMO R&T against NSF/ANSI Standard 61 for material requirements.

To maintain product certification and ensure uniform performance, the product is retested on a consistent basis.

The Culligan Medallist Plus Series 60 Water Softeners with Soft-Minder are registered under California Water Treatment Device Registration Number 3062 and Iowa Water Treatment Device Registration Number 20328.

This softener is efficiency rated, it has a Demand Initiated Regeneration (D.I.R.) feature which complies with specific performance specifications intended to minimize the amount of regenerant brine and water used in their operation. The softener has a rated salt efficiency of not less than 3350 grains of total hardness exchange per pound of salt used (based on NaCl equivalency), and shall not deliver more salt than its listed rating. The efficiency is measured by a laboratory test described in NSF/ANSI Standard 44. This test represents the maximum possible efficiency that the system can achieve. Operational efficiency is the actual efficiency achieved after the system has been installed. Operational efficiency is typically less than the efficiency due to individual application factors including water hardness, water usage, and other contaminants that reduce the softener's capacity.

Refer to the Specifications, Familiarization and Warranty section of this Owner's Guide (P/N 01020482) for more specific product information. To avoid contamination from improper handling and installation, your system should only be installed and serviced by your Culligan Man. Performance will vary based on local water conditions. The substances reduced by this system are not necessarily in your water.

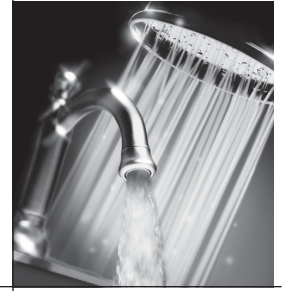
Culligan water softeners are designed to work with any salt of good quality, although it is recommended that you ask your local Culligan Man for his suggestion on the best type and grade of salt to use in this softener.

**NOTICE** This softener is not intended to be used for treating water that is microbiologically unsafe or of unknown quality without adequate disinfection before or after the system.

\*\* The efficiency rated dosage is only valid at the 4.0 lb. salt dosage.

**Buyer Signature** \_\_\_\_\_ **Date** \_\_\_\_\_

**Seller Signature** \_\_\_\_\_ **Date** \_\_\_\_\_



**Culligan  
Limited  
Warranty**

**Culligan Medallist Series® Automatic Water Softeners**

You have just purchased one of the finest water softeners made. As an expression of our confidence in Culligan International Company products, your water softener is warranted to the original end-user, when installed in accordance with Culligan specifications, against defects in material and workmanship from the date of original installation, as follows:

<b>For a period of ONE YEAR</b>	The entire softener
<b>For a period of FIVE YEARS</b>	The AccuSoft® circuit board, or Soft-Minder® meter, if so equipped
<b>For a period of TEN YEARS</b>	The control valve body, excluding internal parts The softener tank The salt storage container, brine valve and all its component parts
<b>For the LIFETIME of the original consumer purchaser</b>	The Culex® resin

If a part described above is found defective within the specified period, you should notify your independently operated Culligan dealer and arrange a time during normal business hours for the dealer to inspect the water softener on your premises. Any part found defective within the terms of this warranty will be repaired or replaced by the dealer. You pay only freight from our factory and local dealer charges.

We are not responsible for damage caused by accident, fire, flood, freezing, Act of God, misuse, misapplication, neglect, oxidizing agents (such as chlorine, ozone, chloramines and other related components), alteration, installation or operation contrary to our printed instructions, or by the use of accessories or components which do not meet Culligan specifications, is not covered by this warranty. Refer to the specifications section in the Installation and Operating manual for application parameters.

Our product performance specifications are furnished with each water conditioning unit. To the extent permitted by law, Culligan disclaims all implied warranties, including without limitation warranties of merchantability and fitness for particular purpose; to the extent required by law, any such implied warranties are limited in duration to the one-year period specified above for the entire softener. As a manufacturer, we do not know the characteristics of your water supply or the purpose for which you are purchasing a water softener. The quality of water supplies may vary seasonally or over a period of time, and your water usage rate may vary as well. Water characteristics can also differ considerably if your water softener is moved to a new location. For these reasons, we assume no liability for the determination of the proper equipment necessary to meet your requirements, and we do not authorize others to assume such obligations for us. Further, we assume no liability and extend no warranties, express or implied, for the use of this product with a non-potable water source. Our obligations under this warranty are limited to the repair or replacement of the failed parts of the water softener, and we assume no liability whatsoever for direct, indirect, incidental, consequential, special, general, or other damages.

Some states do not allow the exclusion of implied warranties or limitations on how long an implied warranty lasts, so the above limitation may not apply to you. Similarly, some states do not allow the exclusion of incidental or consequential damages, so the above limitation or exclusion may not apply to you. This warranty gives you specific legal rights, and you may also have other rights which vary from state to state. Consult your telephone directory for your local independently operated Culligan dealer, or write Culligan International Company for warranty and service information.

**Culligan International Company**

9399 W. Higgins Road, Suite 1100  
Rosemont, Illinois 60018  
[www.culligan.com](http://www.culligan.com)



## Records and Data

### Important Data on Your Water Softener

It is advisable to have the salesperson or installer fill in the information below for your future reference. If this has not been done, please ask for it, as it is necessary if you contact your dealer.

#### Identification

Model Name \_\_\_\_\_ Catalog No. \_\_\_\_\_

Control Model No. \_\_\_\_\_ Control Serial No. \_\_\_\_\_

Date of Installation \_\_\_\_\_ Tank Serial No. \_\_\_\_\_

#### Settings

Salt Setting \_\_\_\_\_ lbs. \_\_\_\_\_

Time of Recharge: \_\_\_\_\_ a.m. \_\_\_\_\_ p.m.

Regeneration Interval \_\_\_\_\_ days (Time clock models)

Gallons to signal \_\_\_\_\_ gallons (Soft-Minder® models)

Number of people in household \_\_\_\_\_

#### Water Analysis

Total Hardness \_\_\_\_\_ (gpg)

Total Iron \_\_\_\_\_ (ppm)

pH (acidity) \_\_\_\_\_

**Other** \_\_\_\_\_  
\_\_\_\_\_  
\_\_\_\_\_  
\_\_\_\_\_  
\_\_\_\_\_  
\_\_\_\_\_  
\_\_\_\_\_  
\_\_\_\_\_





**Notes**

